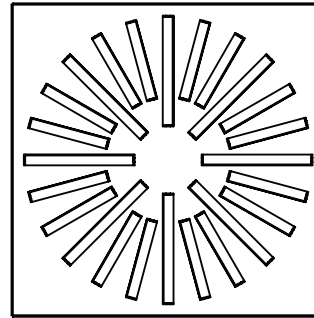
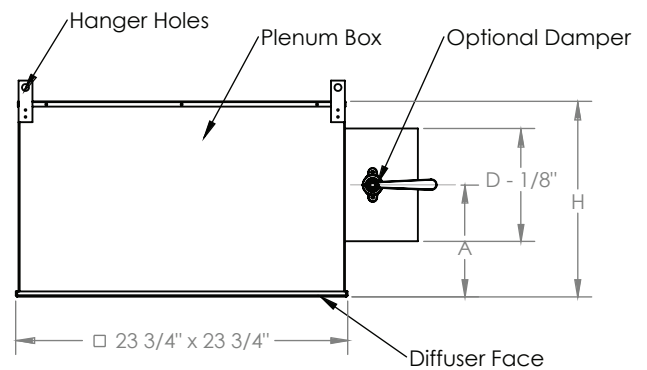


Variable Slot Diffuser (X)



HIGH ASPIRATION AIR OUTLET

- Swirl Pattern Design
- Optional Jet Pattern
- Lay-In Panel
- Easy Installation



| MODEL | D | H | A |
|---------|----|----|-------|
| VSDX-06 | 6 | 10 | 5 |
| VSDX-08 | 8 | 10 | 5-1/2 |
| VSDX-10 | 10 | 14 | 7 |
| VSDX-12 | 12 | 14 | 7-1/2 |

Inches measured to the nearest 1/16 inch

Diffuser Face Standard Finish

- #52 white powder coat

Optional Standard Finishes

- #12 anodized powder coat
- #42 gloss black powder coat
- #43 flat black powder coat
- #52 white powder coat
- #62 grey primer powder coat (on field painting)
- #72 silver metallic powder coat
- #99 custom color / color match (paint chip needed)

Standard Material

- Heavy Gauge Aluminum Face
- Steel Plenum Box with Flex Duct Collar
- Adjustable Aluminum Deflectors

Options

- Damper
- Custom Finish _____

Notes

- Lay-In Panel Design

| | | |
|-----------------------|---------------|------------------------------------------------------|
| Project : | | <h1>VSDX Series</h1> <p>Variable Slot Diffuser X</p> |
| Architect : | | |
| Engineer : | | |
| Contractor : | | Form # : 10059S |
| Submitted By : | Date : | Drawn By : MH January 2020 |