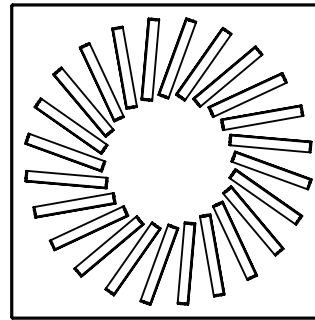
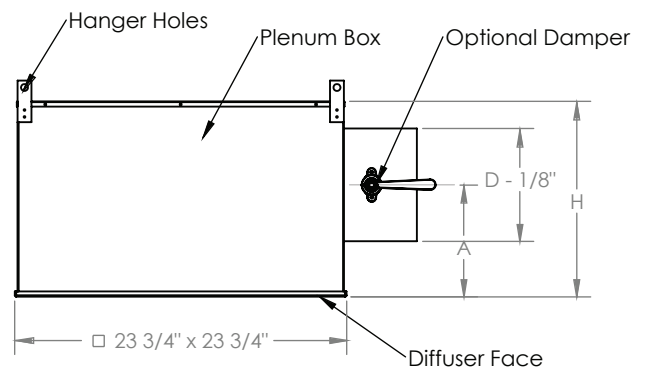


Variable Slot Diffuser (T)



HIGH ASPIRATION AIR OUTLET

- Swirl Pattern Design
- Optional Jet Pattern Design
- Lay-In Panel
- Easy Installation



MODEL	D	H	A
VSDT-06	6	10	5
VSDT-08	8	10	5-1/2
VSDT-10	10	14	7
VSDT-12	12	14	7-1/2

Inches measured to the nearest 1/16 inch

Diffuser Face

Standard Finish

- #52 white powder coat

Optional Standard Finishes

- #12 anodized powder coat
- #42 gloss black powder coat
- #43 flat black powder coat
- #52 white powder coat
- #62 grey primer powder coat (on field painting)
- #72 silver metallic powder coat
- #99 custom color / color match (paint chip needed)

Standard Material

- Heavy Gauge Aluminum Face
- Steel Plenum Box with Flex Duct Collar
- Adjustable Aluminum Deflectors

Options

- Damper
- Custom Finish _____

Notes

- Lay-In Panel Design

Project :		<h1>VSDT Series</h1> <p>Variable Slot Diffuser T</p>
Architect :		
Engineer :		
Contractor :		Form # : 10058S
Submitted By :	Date :	Drawn By : MH January 2020