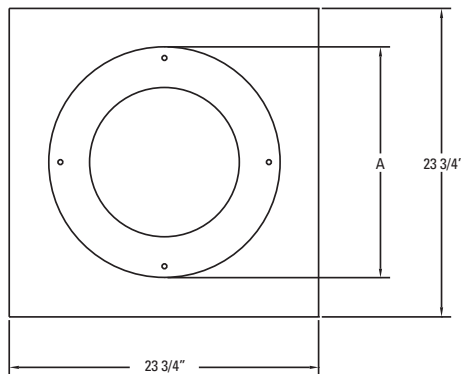
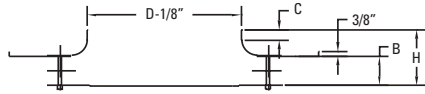


Saturn Plaque Diffuser - Lay In Panel



High Velocity / High Aspiration Air Outlet

- Distinctive Round Design
- Horizontal Air Pattern
- Installs Easily in T-Bar Ceiling Grid

MODEL	A	B	C	D	H
SPD-06-LI	10	2	1-3/16	6	4
SPD-08-LI	12	2	1-3/16	8	4
SPD-10-LI	15	2	1	10	4
SPD-12-LI	17	2	1	12	4
SPD-14-LI	20	2	1-1/4	14	4-1/2
SPD-16-LI	22	2	1-1/4	16	4-1/2

(Inches measured to the nearest 1/16")

Standard Material

- Heavy Gauge Aluminum

Notes

- Lay In Ceiling Installation

Options

- Acoustical tile mounting kit
- Custom Finish _____

Standard Finishes

- #00 mill
- #12 anodized powder coat
- #42 gloss black powder coat
- #43 flat black powder coat
- #52 white powder coat
- #62 grey primer powder coat (on field painting)
- #72 silver metallic powder coat
- #99 custom color / color match (paint chip needed)

Project :	<h2>SPD-LI Series</h2> <p>Saturn Plaque Diffuser - Lay In Panel</p>	
Architect :		
Engineer :		
Contractor :	Form # : 10062S	
Submitted By :	Date :	Drawn By : MH January 2003