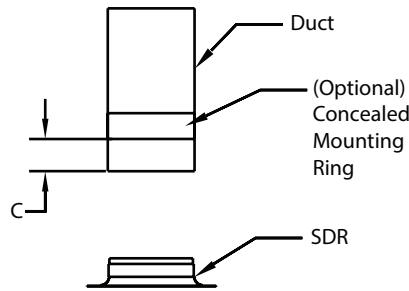
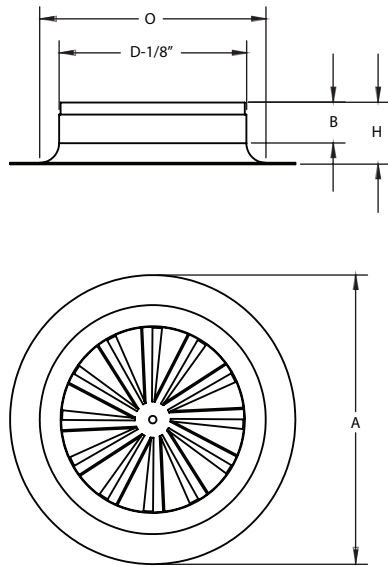


Swirl Diffuser - Round



HIGH ASPIRATION AIR OUTLET

- Swirl Pattern Design

MODEL	A	B	C	D	H	O
SDR-06	10	1-3/16	2-1/4	6	2	7-1/2
SDR-08	12	1-3/16	2-1/4	8	2	9-1/2
SDR-10	15	1	2-1/4	10	2	11-7/8
SDR-12	17	1	2-1/4	12	2	13-7/8
SDR-14	20	1-1/2	2-3/4	14	2-1/2	17-7/8
SDR-16	22	1-3/8	2-3/4	16	2-1/2	18
SDR-20	28	1-1/2	3-1/2	20	3-1/4	23-3/8
SDR-24	34	1-1/2	3-3/4	24	3-1/2	27-7/8

Inches measured to the nearest 1/16 inch

Standard Material

- Heavy Gauge Aluminum Face

Options

- Custom Finish _____
- Optional Concealed Mounting Ring

Notes

- Frame Slides Cleanly Into Ductwork

Standard Finishes

- #00 mill
- #12 anodized powder coat
- #42 gloss black powder coat
- #43 flat black powder coat
- #52 white powder coat
- #62 grey primer powder coat (on field painting)
- #72 silver metallic powder coat
- #99 custom color / color match (paint chip needed)

Project :	<h2>SDR Series</h2> <p>Swirl Diffuser - Round</p>	
Architect :		
Engineer :		
Contractor :	Form # : 10052S	
Submitted By :	Date :	Drawn By : MH January 2014