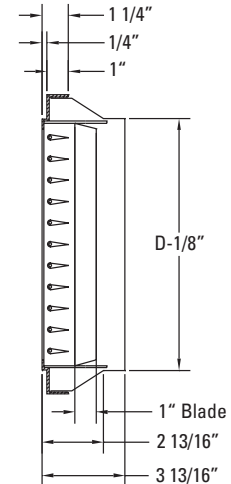
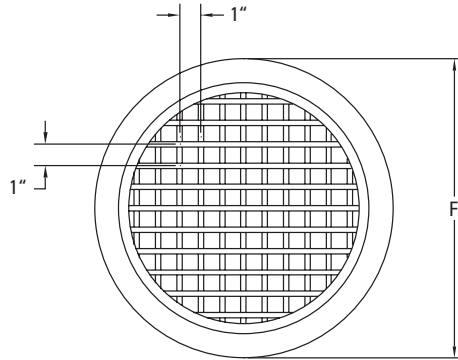


Round Double Deflection Grille - Round Reducer Series



MODEL	Size	D	F
RDD-06-RR	6	6	8-1/4
RDD-08-RR	8	8	10-1/4
RDD-10-RR	10	10	12-1/4
RDD-12-RR	12	12	14-1/4
RDD-14-RR	14	14	16-1/4
RDD-16-RR	16	16	18-1/4
RDD-18-RR	18	18	20-1/4
RDD-20-RR	20	20	22-1/4
RDD-22-RR	22	22	24-1/4
RDD-24-RR	24	24	26-1/4

(Inches measured to the nearest 1/16")

High Velocity Task / Air Outlet

- Double Deflection Design
- Adjustable Vertical & Horizontal Blades
- Adjustable Air Pattern
 - Long Throws
 - Wide Dispersion Patterns
- 1" Extruded Airfoil Blades / 1" Spacing
- Mounts Cleanly Inside Exposed Ductwork

Standard Material

- Heavy Gauge Aluminum

Notes

- Frame Slides Cleanly Inside the End of Exposed Ductwork
- Mounting Screws Included

Options

- Custom Finish _____

Standard Finishes

- #00 mill
- #12 anodized powder coat
- #42 gloss black powder coat
- #43 flat black powder coat
- #52 white powder coat
- #62 grey primer powder coat (on field painting)
- #72 silver metallic powder coat
- #99 custom color / color match (paint chip needed)

Project :	RDD-RR Series Round Double Deflection Grille - Round Reducer Series
Architect :	
Engineer :	
Contractor :	Form # : 10014S
Submitted By :	Date :
	Drawn By : MH June 2004