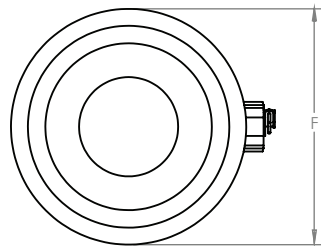
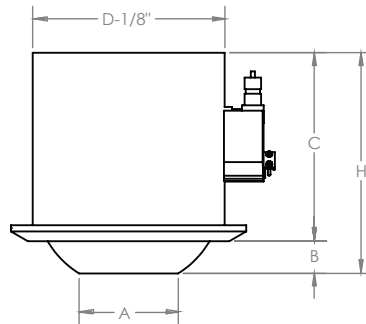


High Velocity Nozzle Adjustable Series - Motorized



High Velocity Task / Air Outlet

- Low Noise High Velocity Discharge for Long Throw Applications
- Surface mount
- Suitable for Heating & Cooling Applications

Adjustability

- Directional Air Pattern Control
Minimum $\pm 30^\circ$ Deflection

MODEL	Size	A	B	C	D	F	H
HVAM-08	8	3-1/4	1	9-3/4	8	10-1/4	10-3/4
HVAM-10	10	4-5/8	1-5/8	9-3/4	10	12-1/4	11-3/8
HVAM-12	12	6	2	10-1/2	12	14-1/4	12-1/2
HVAM-14	14	7	2-3/8	10-1/2	14	16-1/4	12-7/8
HVAM-16	16	8	2-7/16	12-5/8	16	18-1/4	15-1/16
HVAM-20	20	10	3-3/16	14-1/8	20	22-1/4	17-5-16

(Inches measured to the nearest 1/16")

Standard Material

- Heavy Gauge Aluminum

Notes

- Mounting Screws Included
- Concealed Mounting
- Architectural Cover Plate

Standard Finishes

- #00 mill
- #12 anodized powder coat
- #42 gloss black powder coat
- #43 flat black powder coat
- #52 white powder coat
- #62 grey primer powder coat
(for field painting)
- #72 silver metallic powder coat
- #99 custom color / color match
(paint chip required)

Project :	HVAM Series High Velocity Nozzle - Adjustable Motorized
Architect :	
Engineer :	
Contractor :	Form # : 20044S
Submitted By :	Date :
Drawn By : MH January 2018	