

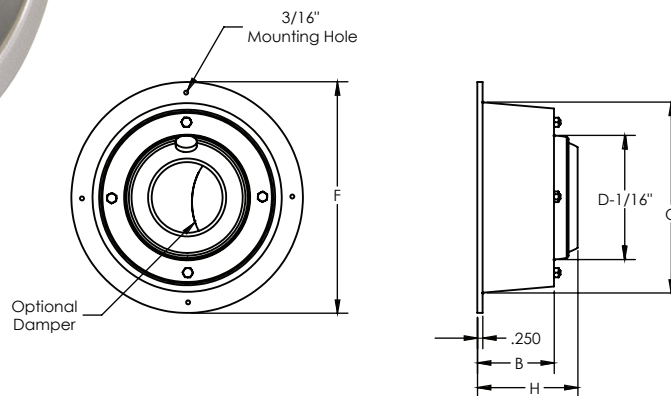
APLR - Recessed Nozzle Series

High Velocity Air Outlet Recessed to be Flush with Mounting Surface



Adjustability

- Easy Finger Tip Adjustment
- Directional Air Pattern Control
70° Global Rotation Minimum
±35° Deflection
360° Rotation



MODEL	B	D	F	H	O
APLR-03*	2-3/16	3-1/8	7-3/4	2-3/4	5-7/8
APLR-04 / APLR-04A	2-13-16	4	8-11/16	3-5/8	6-3/4
APLR-06 / APLR-06A	3-5/8	6	10-15/16	4-3/4	9-1/16

(Inches measured to the nearest 1/16")

Standard Material

- Heavy Gauge Aluminum
- Stainless Steel Damper Hardware
- Foam Gasket

Notes

- Mounting Screws Included
- "A" in Model Name Designates Aperture Damper
- * APL-03 / Not Available with Aperture Damper

Options

- Aperture Damper
- Flex Duct Mounting Ring

Standard Finishes

- #00 mill
- #10 clear anodized
- #12 anodized powder coat
- #42 gloss black powder coat
- #43 flat black powder coat
- #52 white powder coat
- #62 grey primer powder coat (on field painting)
- #72 silver metallic powder coat
- #99 custom color / color match (paint chip needed)

Project :	<h2>APLR Series</h2> <p>Aluminum Punkah Louver - Recessed Nozzle</p> <p>Form # : 20023S</p> <p>Drawn By : MH December 2019</p>
Architect :	
Engineer :	
Contractor :	
Submitted By :	
Date :	