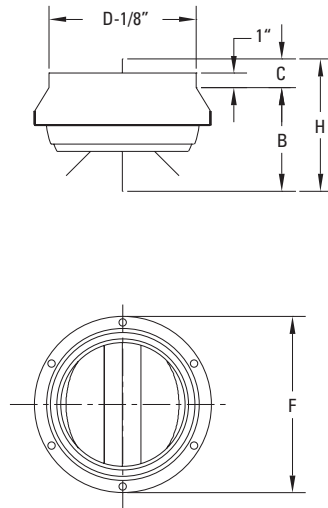
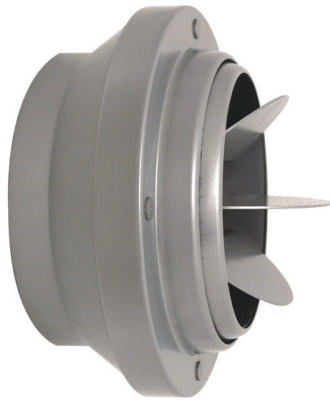


## Aluminum Punkah Louver - Diffusing Round Reducer Series



### High Velocity Task Air Outlet

- Low Noise Levels
- Low Pressure Requirements

### Adjustability

- Easy Finger Tip Adjustment
- Directional Air Pattern Control:
  - 70 Degree Global Rotation Minimum
  - ±35 Degree Deflection
  - 360 Degree Rotation
- The Spherical Core Can Be Easily Adjusted To Provide a Jet Air Pattern or Diffused Air Pattern

### Installation

- Mounts Cleanly to Exposed Ductwork

MODEL	Size	B	C	D	F	H
APLD-08-RR	8	6-1/8	1-1/8	8	10	7-1/4
APLD-10-RR	10	7-1/8	2-1/8	10	12	9-1/4
APLD-12-RR	12	7-7/8	2-7/8	12	14	10-3/4

(Inches measured to the nearest 1/16")

### Standard Material

- Heavy Gauge Aluminum

### Options

- Custom Finish \_\_\_\_\_

### Notes

- Frame Slides Cleanly Over End of Exposed Ductwork
- Mounting Screws Included
- US Patent Pending

### Standard Finishes

- #00 mill
- #12 anodized powder coat
- #42 gloss black powder coat
- #43 flat black powder coat
- #52 white powder coat
- #62 grey primer powder coat (on field painting)
- #72 silver metallic powder coat
- #99 custom color / color match (paint chip needed)

<b>Project :</b>	<h2>APLD Series</h2> <p>Aluminum Punkah Louver - Diffusing Round Reducer Series</p>	
<b>Architect :</b>		
<b>Engineer :</b>		
<b>Contractor :</b>		
<b>Submitted By :</b>	<b>Date :</b>	<b>Form # : 20032S</b>
		<b>Drawn By : MH January 2005</b>