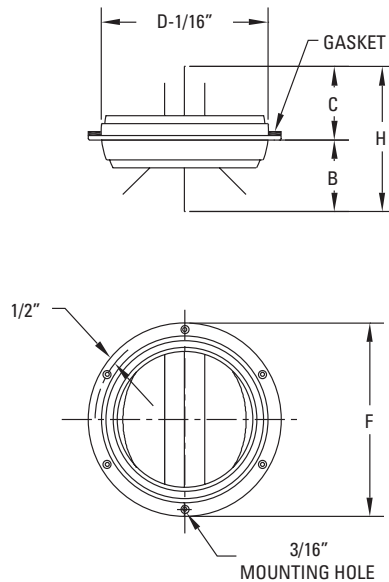
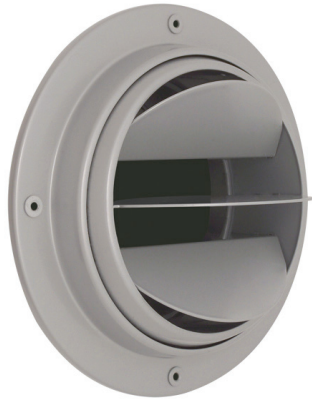


Aluminum Punkah Louver - Diffusing Series



High Velocity Task Air Outlet

- Low Noise Levels
- Low Pressure Requirements

Adjustability

- Easy Finger Tip Adjustment
- Directional Air Pattern Control:
70 Degree Global Rotation Minimum
±35 Degree Deflection
360 Degree Rotation
- The Spherical Core Can Be Easily Adjusted
To Provide a Jet Air Pattern or Diffused Air Pattern

| MODEL | Size | B | C | D | F | H | Mtg Holes |
|---------|------|-------|-------|----|----|--------|-----------|
| APLD-08 | 8 | 3-5/8 | 3-5/8 | 8 | 10 | 7-1/4 | 4 |
| APLD-10 | 10 | 4-5/8 | 4-5/8 | 10 | 12 | 9-1/4 | 6 |
| APLD-12 | 12 | 5-3/8 | 5-3/8 | 12 | 14 | 10-3/4 | 6 |

(Inches measured to the nearest 1/16")

Standard Material

- Heavy Gauge Aluminum
- Foam Gasket

Options

- Custom Finish _____

Notes

- Mounting Screws Included
- US Patent Pending

Standard Finishes

- #00 mill
- #12 anodized powder coat
- #42 gloss black powder coat
- #43 flat black powder coat
- #52 white powder coat
- #62 grey primer powder coat
(on field painting)
- #72 silver metallic powder coat
- #99 custom color / color match
(paint chip needed)

| | | |
|-----------------------|---|-----------------------------------|
| Project : | <h2>APLD Series</h2> <p>Aluminum Punkah Louver - Diffusing Series</p> | |
| Architect : | | |
| Engineer : | | |
| Contractor : | | |
| Submitted By : | Date : | Form # : 20030S |
| | | Drawn By : MH January 2005 |