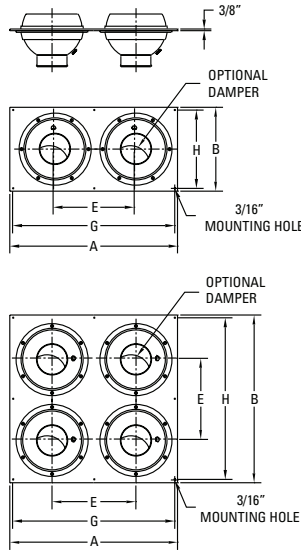


Aluminum Punkah Louver - Panel Series



(Shown w/ aperture damper)



High Velocity Task Air Outlet

- Low Noise Levels
- Low Pressure Requirements

Adjustability

- Easy Finger Tip Adjustment
- Directional Air Pattern Control:
70 Degree Global Rotation Minimum
±35 Degree Deflection
360 Degree Rotation

MODEL	APL Model	APL Per Panel	A	B	Duct Size	E	G	H
APL-04/04A-P2R	APL-04/04A	2	14	8	12 X 6	7	11	7
APL-06/06A-P2R	APL-06/06A	2	18	10	16 X 8	9	15	9
APL-08/08A-P2R	APL-08/08A	2	24	12	22 X 10	11-1/2	21	11
APL-10/10A-P2R	APL-10/10A	2	28	14	26 X 12	13-1/2	25	13
APL-12/12A-P2R	APL-12/12A	2	32	16	30 X 14	15-1/2	29	15
APL-04/04A-P4S	APL-04/04A	4	14	14	12 X 12	7	11	13
APL-06/06A-P4S	APL-06/06A	4	18	18	16 X 16	9	15	17
APL-08/08A-P4S	APL-08/08A	4	24	24	22 X 22	11-1/2	21	23
APL-10/10A-P4S	APL-10/10A	4	28	28	26 X 26	13-1/2	25	27
APL-12/12A-P4S	APL-12/12A	4	32	32	30 X 30	15-1/2	29	31

(Inches measured to the nearest 1/16")

Standard Material

- Heavy Gauge Aluminum
- Stainless Steel Damper Hardware

Notes

- Mounting Screws Included
- "A" in Model Name Designates Aperture Damper
- Larger Custom Panel & Unit Sizes Available

Options

- Aperture Damper
- Custom Panel _____

Standard Finishes

- #00 mill
- #10 clear anodized
- #12 anodized powder coat
- #42 gloss black powder coat
- #43 flat black powder coat
- #52 white powder coat
- #62 grey primer powder coat (on field painting)
- #72 silver metallic powder coat
- #99 custom color / color match (paint chip needed)

Project :	APL Series Aluminum Punkah Louver - Panel Mount	
Architect :		
Engineer :		
Contractor :	Form # : 20011S	
Submitted By :	Date :	Drawn By : MH January 2005