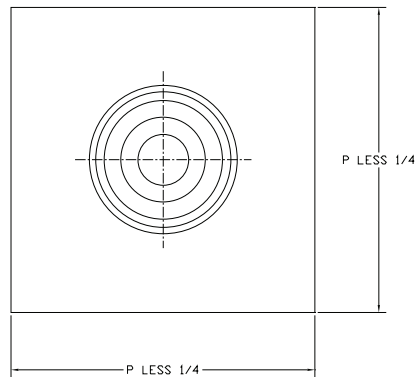
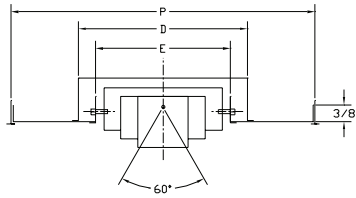


## Air Nozzle - Lay-In Panel Series



### Adjustability

- Adjustment of the nozzle element about a fixed plane through a 360° rotation.
- Note: Lay-in Tee-Bar Ceiling is Standard. Contact factory for other Ceiling Systems.

MODEL	Nozzle E	Rings Per Nozzle	Duct D	Panel P
ANC-06-LI	6	3	8	24
ANC-08-LI	8	3	10	24
ANC-10-LI	10	3	12	24
ANC-12-LI	12	3	14	24
ANC-14-LI	14	4	16	24
ANC-16-LI	16	4	18	24

(Inches measured to the nearest 1/16")

### Standard Material

- Heavy Gauge Steel

### Optional Material

- Heavy Gauge Aluminum
- Stainless Steel #304
- Stainless Steel #316

### Notes

- Flex Duct Mounting Collar Included
- Custom Sizes Available

### Standard Finishes

- #00 mill (aluminum)
- #10 clear anodized (aluminum)
- #12 anodized powder coat
- #42 gloss black powder coat
- #43 flat black powder coat
- #52 white powder coat
- #62 grey primer powder coat (on field painting)
- #72 silver metallic powder coat
- #99 custom color / color match (paint chip needed)

<b>Project :</b>	<h1>ANC-LI Series</h1> <p>Air Nozzle - Lay-In Panel Mount</p>	
<b>Architect :</b>		
<b>Engineer :</b>		
<b>Contractor :</b>	<b>Form # : 30014S</b>	
<b>Submitted By :</b>	<b>Date :</b>	<b>Drawn By : MH January 2002</b>