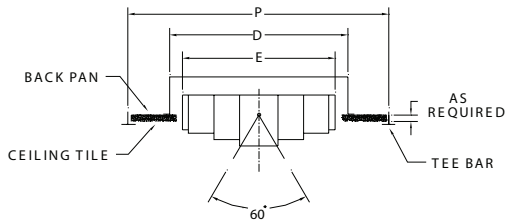
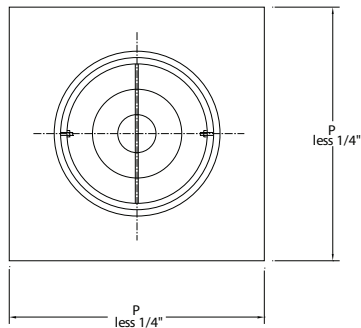


Air Nozzle - Acoustical Tile Series



Adjustability

- Adjustment of the nozzle element about a fixed plane through a 360° rotation.
- Note: Ceiling Tile **MUST** be furnished to factory for assembly into a zinc coated steel back pan.
- Note: Lay-in Tee-Bar Ceiling is Standard. Contact factory for other Ceiling Systems.



MODEL	(Nozzle) E	Rings Per Nozzle	(Duct) D	(Panel) P
ANC-06-AT	6	3	8	24
ANC-08-AT	8	3	10	24
ANC-10-AT	10	3	12	24
ANC-12-AT	12	3	14	24
ANC-14-AT	14	4	16	24
ANC-16-AT	16	4	18	24

(Inches measured to the nearest 1/16")

Standard Material

- Heavy Gauge Steel

Optional Material

- Heavy Gauge Aluminum
- Stainless Steel #304
- Stainless Steel #316

Notes

- Flex Duct Mounting Collar Included
- Custom Sizes Available

Standard Finishes

- #00 mill (aluminum)
- #10 clear anodized (aluminum)
- #12 anodized powder coat
- #42 gloss black powder coat
- #43 flat black powder coat
- #52 white powder coat
- #62 grey primer powder coat (on field painting)
- #72 silver metallic powder coat
- #99 custom color / color match (paint chip needed)

Project :	<h2>ANC-AT Series</h2> <p>Air Nozzle - Acoustical Tile Mount</p>	
Architect :		
Engineer :		
Contractor :		Form # : 30013S
Submitted By :		Date :