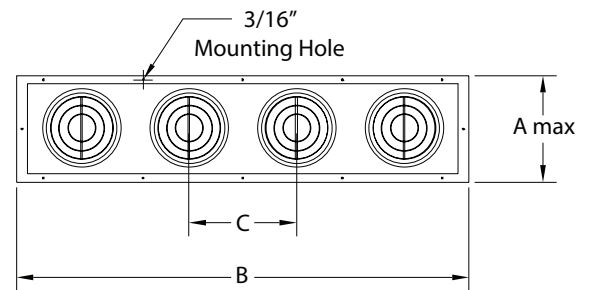
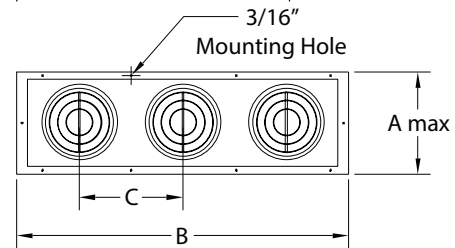
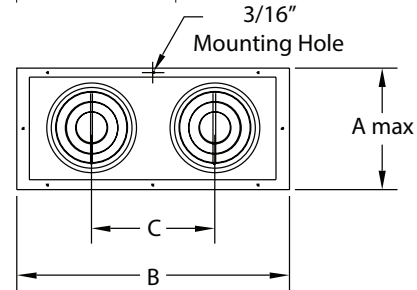
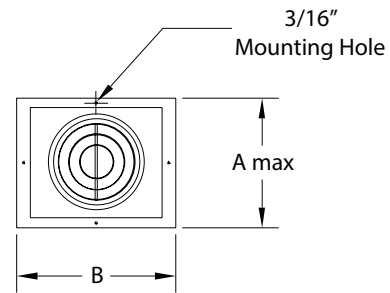
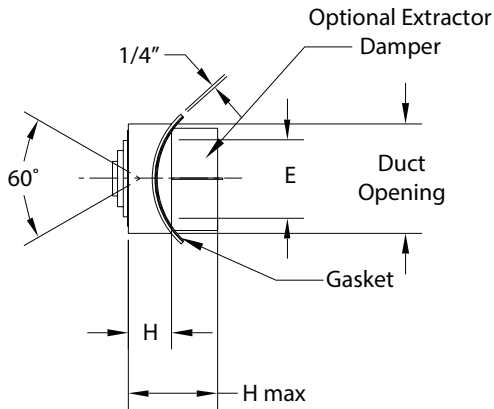


## Air Nozzle Panel - Curved Frame Series



### High Velocity Task Air Outlet

- Low Noise Levels
- Low Pressure Requirements

### Adjustability

- Easy Finger Tip Adjustment
- Directional Air Pattern Control:  
70 Degree Global Rotation Minimum  
±35 Degree Deflection  
360° Rotation

### Standard Finishes

- #00 mill
- #10 clear anodized
- #12 anodized powder coat
- #42 gloss black powder coat
- #43 flat black powder coat
- #52 white powder coat
- #62 grey primer powder coat  
(on field painting)
- #72 silver metallic powder coat
- #99 custom color / color match  
(paint chip needed)

### Standard Material

- Heavy Gauge Aluminum
- Foam Gasket

### Optional Material

- Stainless Steel #304
- Stainless Steel #316

### Options

- Duct Diameter \_\_\_\_\_
- Extractor Damper

### Notes

- Mounting Screws Included

<b>Project :</b>		<h2>ANC-C Series</h2> <p>Air Nozzle Curved Frame Panel</p> <p><b>Form # : 30022S</b></p> <p><b>Drawn By : MH January 2014</b></p>
<b>Architect :</b>		
<b>Engineer :</b>		
<b>Contractor :</b>		
<b>Submitted By :</b>	<b>Date :</b>	

## Air Nozzle Panel - Curved Frame Series

Model	E	#Per Unit	C	# Per Rings	A max	B	H	H max	Duct Opening	Minimal Duct Dia.
ANC-04C-1	4	1	-	3	9	9	3	10-3/16	7 x 7	8
ANC-04C-2	4	2	6	3	9	17-1/2	3	10-3/16	7 x 15-1/2	8
ANC-04C-3	4	3	6	3	9	22-1/2	3	10-3/16	7 x 20-1/2	8
ANC-04C-4	4	4	6	3	9	28-1/2	3	10-3/16	7 x 26-1/2	8
ANC-05C-1	5	1	-	3	10	10	3	11-1/16	8 x 8	8
ANC-05C-2	5	2	8	3	10	20-1/2	3	11-1/16	8 x 18-1/2	8
ANC-05C-3	5	3	8	3	10	26-1/2	3	11-1/16	8 x 24-1/2	8
ANC-05C-4	5	4	8	3	10	34-1/2	3	11-1/16	8 x 32-1/2	8
ANC-06C-1	6	1	-	3	11	11	3	12	9 x 9	10
ANC-06C-2	6	2	9	3	11	21-1/2	3	12	9 x 19-1/2	10
ANC-06C-3	6	3	9	3	11	30-1/2	3	12	9 x 28-1/2	10
ANC-06C-4	6	4	9	3	11	39-1/2	3	12	9 x 37-1/2	10
ANC-08C-1	8	1	-	3	13	13	4	12-3/4	11 x 11	12
ANC-08C-2	8	2	12	3	13	26-1/2	4	12-3/4	11 x 24-1/2	12
ANC-08C-3	8	3	12	3	13	38-1/2	4	12-3/4	11 x 36-1/2	12
ANC-08C-4	8	4	12	3	13	50-1/2	4	12-3/4	11 x 48-1/2	12
ANC-10C-1	10	1	-	3	15	15	4	14-1/2	13 x 13	14
ANC-10C-2	10	2	13	3	15	29-1/2	4	14-1/2	13 x 27-1/2	14
ANC-10C-3	10	3	13	3	15	42-1/2	4	14-1/2	13 x 40-1/2	14
ANC-10C-4	10	4	13	3	15	55-1/2	4	14-1/2	13 x 53-1/2	14
ANC-12C-1	12	1	-	3	17	17	4	16-1/8	15 x 15	18
ANC-12C-2	12	2	15	3	17	33-1/2	4	16-1/8	15 x 31-1/2	18
ANC-12C-3	12	3	15	3	17	48-1/2	4	16-1/8	15 x 46-1/2	18
ANC-12C-4	12	4	15	3	17	63-1/2	4	16-1/8	15 x 61-1/2	18

(Inches measured to the nearest 1/16")

<b>Project :</b>	<b>ANC-C Series</b> Air Nozzle Curved Frame Panel	
<b>Architect :</b>		
<b>Engineer :</b>		
<b>Contractor :</b>	<b>Form # : 30022S</b>	
<b>Submitted By :</b>	<b>Date :</b>	<b>Drawn By : MH January 2014</b>