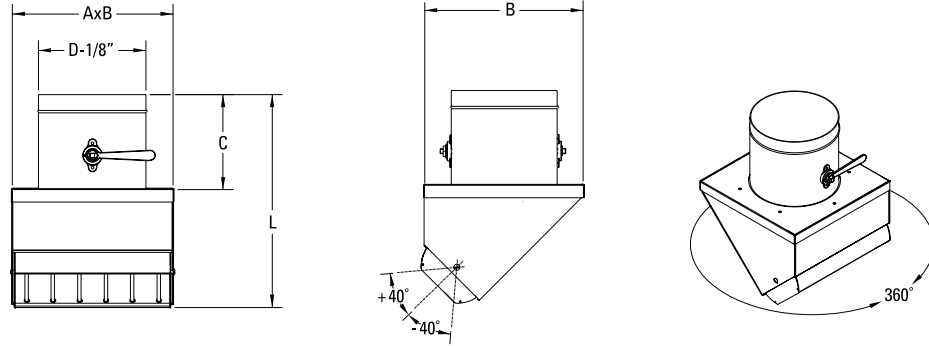


Turret Drum Louver Series



Model	A	B	C	D	L
TDL-06	12	10	7	6	15-3/16
TDL-08	12	12	8	8	16-13/16
TDL-10	14	14	10	10	18-11/16
TDL-12	20	16	11	12	21-5/8

Inches measured to the nearest 1/16 inch

STANDARD FINISH:

- ☐ #72 Silver Metallic Powder Coat

Model	Drum Louver Size
TDL-06	12 x 4
TDL-08	12 x 6
TDL-10	14 x 8
TDL-12	20 x 8

MATERIAL:

- Heavy Gauge Steel Turret
- Aluminum Drum Louver

ADJUSTABILITY

The Turret Drum Louver Series has:

- Easy Finger Tip Adjustment
- Directional Air Pattern Control:
40° Degree Deflection
360° Degree Rotation

Project:	<h2>TDL Series</h2> <p>Turret Drum Louver</p>	
Architect:		
Engineer:		
Contractor:	Form No: 40013S	
Submitted By:	Date:	Drawn By: MH January 2008