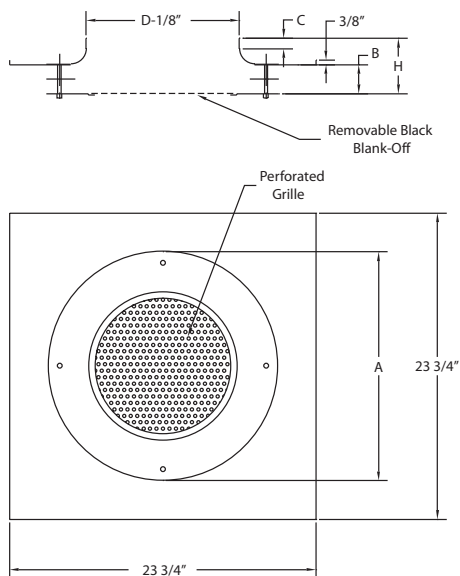


Saturn Plaque Diffuser - Variable Pattern - Lay In Panel Series



HIGH VELOCITY/HIGH ASPIRATION AIR OUTLET

- Distinctive Round Design
- Horizontal Air Pattern
- Removable Blank-Off Plate adds a Vertical Air Pattern Component
- Installs Easily in T-Bar Ceiling

MODEL	A	B	C	D	H
SPDV-06-LI	10	2	1-3/16	6	4
SPDV-08-LI	12	2	1-3/16	8	4
SPDV-10-LI	15	2	1	10	4
SPDV-12-LI	17	2	1	12	4
SPDV-14-LI	20	2	1-1/4	14	4-1/2
SPDV-16-LI	22	2	1-1/4	16	4-1/2

Inches measured to the nearest 1/16 inch

STANDARD FINISH:

- #52 White Powder Coat
- #42 Gloss Black Powder Coat
- #72 Silver Metallic Powder Coat
- #00 Mill Aluminum

MATERIAL:

- Heavy Gauge Aluminum Construction

OPTIONS:

- Custom Finish _____
- Acoustical Tile Mounting Kit

NOTES:

- Lay In Ceiling Installation
- Blank-Off is Easily Reomavable without the Use of Tools

Project:	<h2>SPDV Series</h2> <p>Saturn Plaque Diffuser - Variable Pattern - Lay In Panel Series</p>	
Architect:		
Engineer:		
Contractor:	Form No: 10063S	
Submitted By:	Date:	Drawn By: MH January 2003