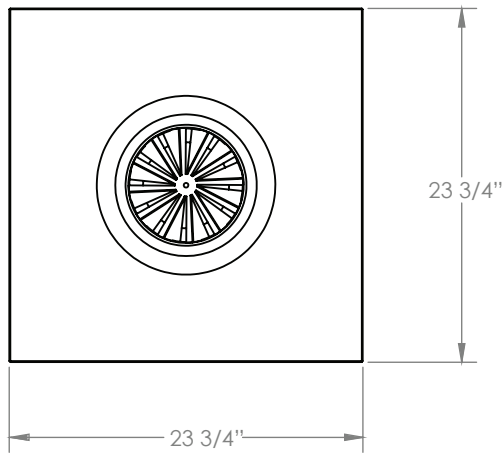
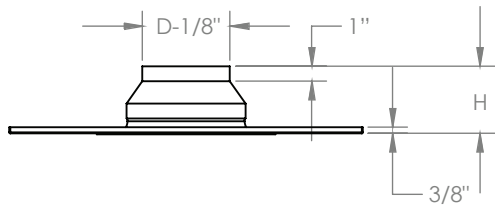


SWIRL DIFFUSER - HIGH PERFORMANCE LAY-IN SERIES



HIGH ASPIRATION AIR OUTLET

- Swirl Pattern Design
- Lay-In Panel
- Easy Installation

MODEL	D	H
SDRR-06-LI	6	4-1/2
SDRR-08-LI	8	4-1/2
SDRR-10-LI	10	4-1/2
SDRR-12-LI	12	5
SDRR-14-LI	14	5

Inches measured to the nearest 1/16 inch

STANDARD FINISHES

- #10 clear anodized
- #12 anodized powder coat
- #42 gloss black powder coat
- #43 flat black powder coat
- #52 white powder coat
- #62 grey primer powder coat (for field painting)
- #72 silver metallic powder coat
- #99 custom color / color match (paint chip needed)

STANDARD MATERIAL

- Heavy Gauge Aluminum

NOTES

- Lay-In Panel Design

OPTIONS

- Custom Finish _____

PROJECT :	<h2>SDRR SERIES</h2> <p>SWIRL DIFFUSER - HIGH PERFORMANCE LAY-IN SERIES</p>	
ARCHITECT :		
ENGINEER :		
CONTRACTOR :		
SUBMITTED BY :	DATE :	FORM # : 10055S
		DRAWN BY : MH SEPTEMBER 2018