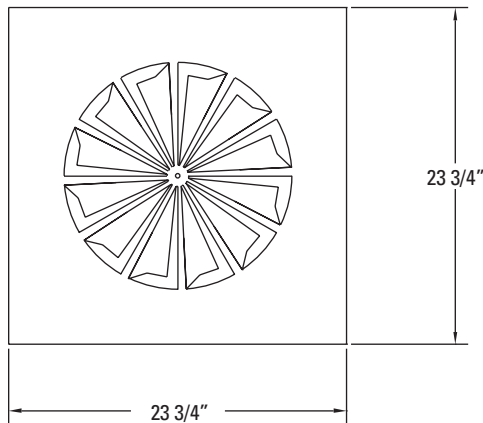
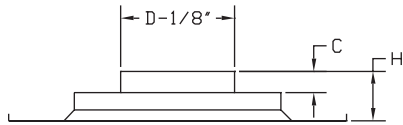


Swirl Diffuser - Lay In Panel



HIGH ASPIRATION AIR OUTLET

- Swirl Pattern Design
- Lay-In Panel
- Easy Installation

MODEL	D	C	H
SDL-06	6	1-1/2	3-1/2
SDL-08	8	1-1/2	3-1/2
SDL-10	10	1-1/2	3-1/2
SDL-12	12	1-1/4	3-1/4
SDL-14	14	1-1/2	3-1/2

Inches measured to the nearest 1/16 inch

STANDARD FINISH:

- #52 White Powder Coat
- #42 Gloss Black Powder Coat
- #72 Silver Metallic Powder Coat
- #61 Gray Prime

OPTIONS:

- Custom Finish _____

MATERIAL:

- Heavy Gauge Aluminum Face
- Aluminum Back Pan with Flex Duct Collar

NOTES:

- Lay-In Panel Design

Project:	<h2>SDL Series</h2> <p>Swirl Diffuser - Lay In Panel</p>	
Architect:		
Engineer:		
Contractor:	Form No: 10050S	
Submitted By:	Date:	Drawn By: MH January 2003