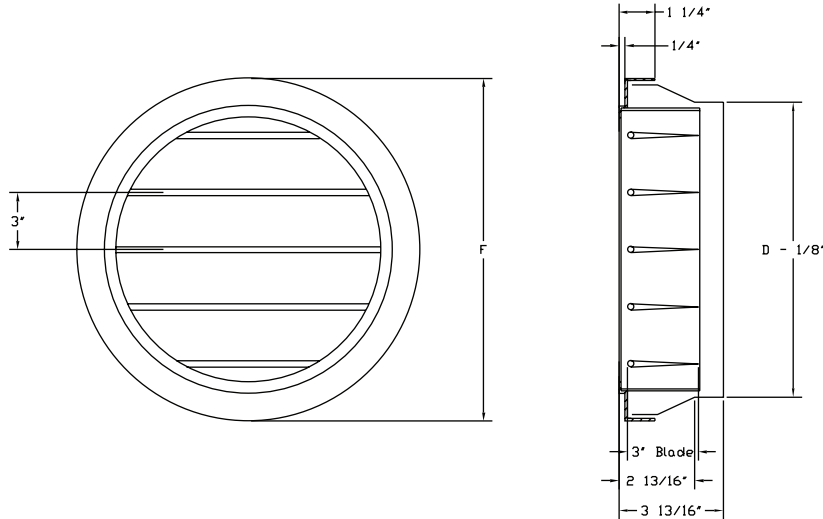


Round Single Deflection Grille with 3" Wide Spacing - Round Reducer Series



Model	Size	D	F
RSDX-16-RR	16	16	18-1/4
RSDX-18-RR	18	18	20-1/4
RSDX-20-RR	20	20	22-1/4
RSDX-22-RR	22	22	24-1/4
RSDX-24-RR	24	24	26-1/4

Inches measured to the nearest 1/16 inch

HIGH VELOCITY AIR OUTLET

- Single Deflection Design
- Adjustable Air Pattern
Long Air Throws
Wide Dispersion Patterns
- 3" Extruded Airfoil Blades / 3" Spacing
- Mounts Cleanly to Exposed Ductwork

STANDARD FINISH:

- #52 White Powder Coat
- #42 Gloss Black Powder Coat
- #72 Silver Metallic Powder Coat
- #00 Mill Aluminum

MATERIAL:

- Heavy Gauge Aluminum Construction
- 3" Extruded Airfoil Blades / 3" Spacing

OPTIONS:

- Custom Finish _____

NOTES:

- Frame Slides Cleanly Into End of Exposed Ductwork
- Mounting Screws Included

Project:	<h2>RSDX Series</h2> <p>Round Single Deflection Grille with 3" Wide Spacing -Round Reducer Series</p>	
Architect:		
Engineer:		
Contractor:	Form No: 10028S	
Submitted By:	Date:	Drawn By: MH May 2010