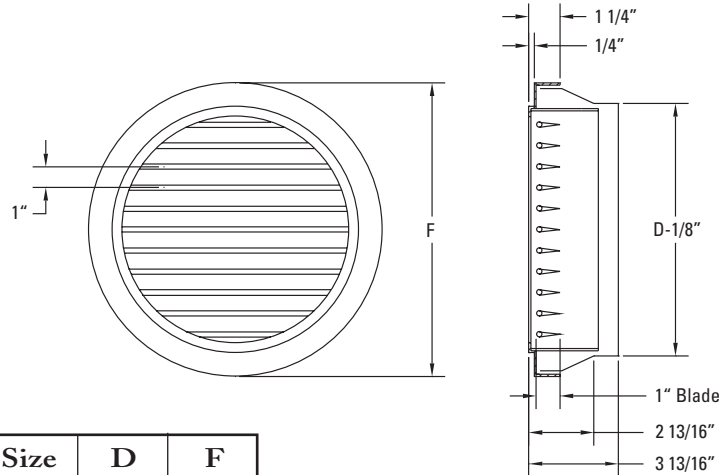


## Round Single Deflection Grille - Round Reducer Series



Model	Size	D	F
RSD-06-RR	6	6	8-1/4
RSD-08-RR	8	8	10-1/4
RSD-10-RR	10	10	12-1/4
RSD-12-RR	12	12	14-1/4
RSD-14-RR	14	14	16-1/4
RSD-16-RR	16	16	18-1/4
RSD-18-RR	18	18	20-1/4
RSD-20-RR	20	20	22-1/4
RSD-22-RR	22	22	24-1/4
RSD-24-RR	24	24	26-1/4

Inches measured to the nearest 1/16 inch

### HIGH VELOCITY AIR OUTLET

- Single Deflection Design
- Adjustable Air Pattern
  - Long Air Throws
  - Wide Dispersion Patterns
- 1" Extruded Airfoil Blades / 1" Spacing
- Mounts Cleanly to Exposed Ductwork

#### STANDARD FINISH:

- #52 White Powder Coat
- #42 Gloss Black Powder Coat
- #72 Silver Metallic Powder Coat
- #00 Mill Aluminum

#### MATERIAL:

- Heavy Gauge Aluminum Construction
- 1" Extruded Airfoil Blades / 1" Spacing

#### OPTIONS:

- Custom Finish \_\_\_\_\_

#### NOTES:

- Frame Slides Cleanly Into End of Exposed Ductwork
- Mounting Screws Included

<b>Project:</b>	<h2>RSD Series</h2> <p>Round Single Deflection Grille -Round Reducer Series</p>	
<b>Architect:</b>		
<b>Engineer:</b>		
<b>Contractor:</b>	<b>Form No: 10022S</b>	
<b>Submitted By:</b>	<b>Date:</b>	<b>Drawn By: MH June 2004</b>