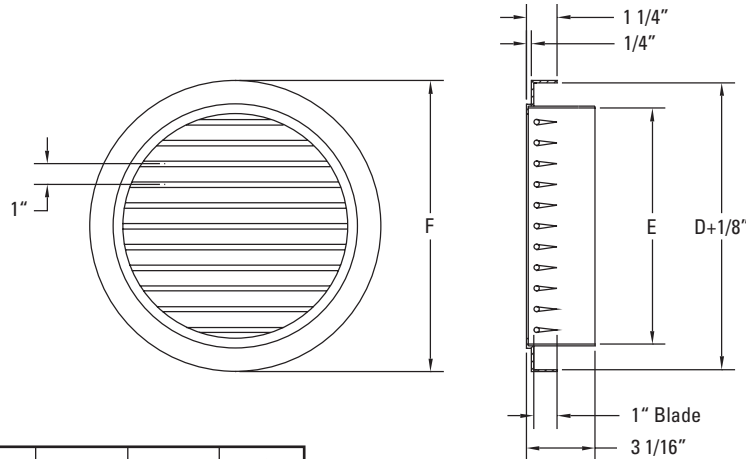


Round Single Deflection Grille - Round Duct Series



Model	Size	D	E	F
RSD-06-RD	6	8	6	8-1/4
RSD-08-RD	8	10	8	10-1/4
RSD-10-RD	10	12	10	12-1/4
RSD-12-RD	12	14	12	14-1/4
RSD-14-RD	14	16	14	16-1/4
RSD-16-RD	16	18	16	18-1/4
RSD-18-RD	18	20	18	20-1/4
RSD-20-RD	20	22	20	22-1/4
RSD-22-RD	22	24	22	24-1/4
RSD-24-RD	24	26	24	26-1/4

Inches measured to the nearest 1/16 inch

HIGH VELOCITY AIR OUTLET

- Single Deflection Design
- Adjustable Air Pattern
 - Long Air Throws
 - Wide Dispersion Patterns
- 1" Extruded Airfoil Blades / 1" Spacing
- Mounts Cleanly to Exposed Ductwork

STANDARD FINISH:

- #52 White Powder Coat
- #42 Gloss Black Powder Coat
- #72 Silver Metallic Powder Coat
- #00 Mill Aluminum

MATERIAL:

- Heavy Gauge Aluminum Construction
- 1" Extruded Airfoil Blades / 1" Spacing

OPTIONS:

- Custom Finish _____

NOTES:

- Frame Slides Cleanly Over End of Exposed Ductwork
- Mounting Screws Included

Project:	<h2>RSD Series</h2> <p>Round Single Deflection Grille - Round Duct Series</p>	
Architect:		
Engineer:		
Contractor:	Form No: 10021S	
Submitted By:	Date:	Drawn By: MH October 2003