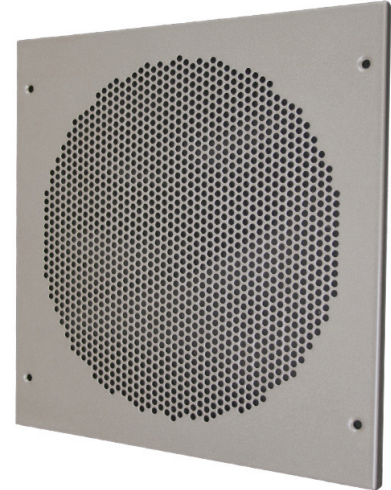
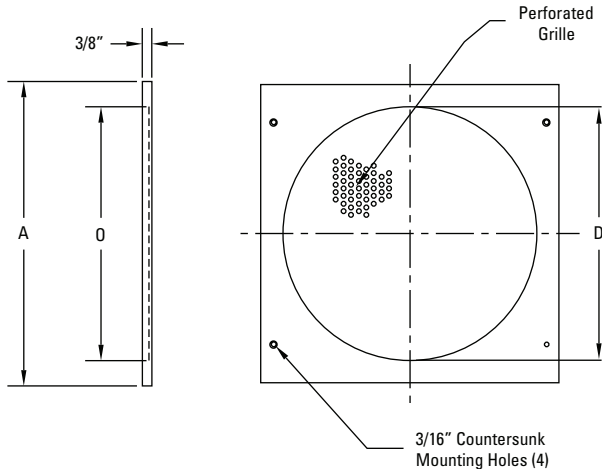


ROUND PERFORATED GRILLE - SQUARE PANEL SERIES



MODEL	O	D	A
RPG-04-SP	4	4 X 4	6 X 6
RPG-05-SP	5	5 X 5	8 X 8
RPG-06-SP	6	6 X 6	8 X 8
RPG-08-SP	8	8 X 8	10 X 10
RPG-10-SP	10	10 X 10	12 X 12
RPG-12-SP	12	12 X 12	14 X 14
RPG-14-SP	14	14 X 14	16 X 16
RPG-16-SP	16	16 X 16	18 X 18

(Inches measured to the nearest 1/16")

ARCHITECTURAL GRILLE

- Can be utilized for supply, return or exhaust air.

STANDARD MATERIAL

- Heavy Gauge Steel

OPTIONAL MATERIAL

- Heavy Gauge Aluminum
- Stainless Steel #304
- Stainless Steel #316

NOTES

- Wall or Ceiling Mount
- Mounting Screws Included
- Custom Sizes Available

STANDARD FINISHES

- #00 mill (aluminum)
- #10 clear anodized (aluminum)
- #12 anodized powder coat
- #42 gloss black powder coat
- #43 flat black powder coat
- #52 white powder coat
- #62 grey primer powder coat (on field painting)
- #72 silver metallic powder coat
- #99 custom color / color match (paint chip required)

PROJECT :	<h2>RPG SERIES</h2> <p>ROUND PERFORATED GRILLE - SQUARE PANEL SERIES</p>	
ARCHITECT :		
ENGINEER :		
CONTRACTOR :		
SUBMITTED BY :	DATE :	FORM # : 10042S
		DRAWN BY : MH JANUARY 2000