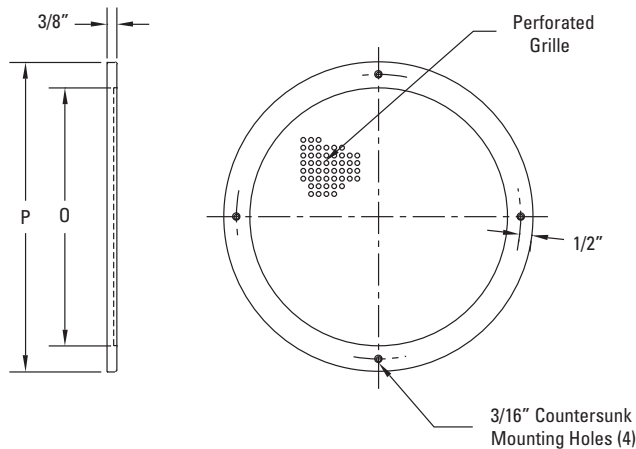


ROUND PERFORATED GRILLE - ROUND PANEL SERIES



MODEL	O	DUCT SIZE	P
RPG-04-RP	4	4	6
RPG-05-RP	5	5	8
RPG-06-RP	6	6	8
RPG-08-RP	8	8	10
RPG-10-RP	10	10	12
RPG-12-RP	12	12	14
RPG-14-RP	14	14	16
RPG-16-RP	16	16	18

(Inches measured to the nearest 1/16")

ARCHITECTURAL GRILLE

- Can be utilized for supply, return or exhaust air.

STANDARD MATERIAL

- Heavy Gauge Steel

OPTIONAL MATERIAL

- Heavy Gauge Aluminum
- Stainless Steel #304
- Stainless Steel #316

NOTES

- Wall or Ceiling Mount
- Mounting Screws Included
- Custom Sizes Available

STANDARD FINISHES

- #00 mill (aluminum)
- #10 clear anodized (aluminum)
- #12 anodized powder coat
- #42 gloss black powder coat
- #43 flat black powder coat
- #52 white powder coat
- #62 grey primer powder coat (on field painting)
- #72 silver metallic powder coat
- #99 custom color / color match (paint chip required)

PROJECT :	<h2>RPG SERIES</h2> <p>ROUND PERFORATED GRILLE - ROUND PANEL SERIES</p>
ARCHITECT :	
ENGINEER :	
CONTRACTOR :	
SUBMITTED BY :	FORM # : 10041S
DATE :	DRAWN BY : MH JANUARY 2000