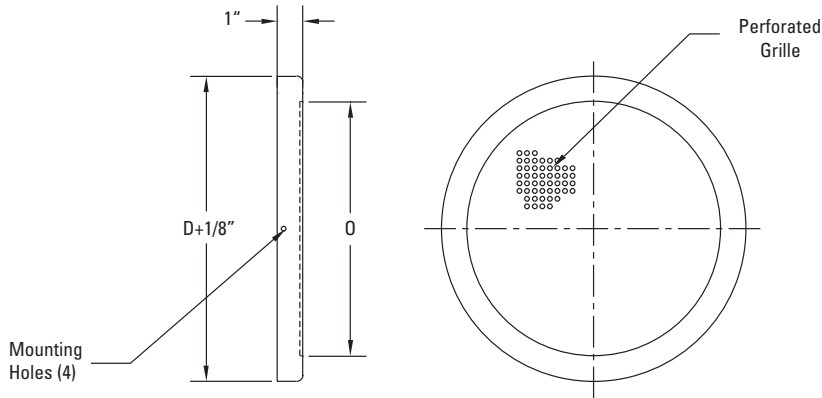


ROUND PERFORATED GRILLE - ROUND DUCT SERIES



MODEL	O	D
RPG-04-RD	4	6
RPG-05-RD	5	6
RPG-06-RD	6	8
RPG-08-RD	8	10
RPG-10-RD	10	12
RPG-12-RD	12	14
RPG-14-RD	14	16
RPG-16-RD	16	18

(Inches measured to the nearest 1/16")

ARCHITECTURAL GRILLE

- Can be utilized for supply, return or exhaust air.

STANDARD MATERIAL

- Heavy Gauge Steel

OPTIONAL MATERIAL

- Heavy Gauge Aluminum
- Stainless Steel #304
- Stainless Steel #316

NOTES

- Frame Slides Cleanly Over End of Exposed Ductwork
- Mounting Screws Included
- Custom Sizes Available

STANDARD FINISHES

- #00 mill (aluminum)
- #10 clear anodized (aluminum)
- #12 anodized powder coat
- #42 gloss black powder coat
- #43 flat black powder coat
- #52 white powder coat
- #62 grey primer powder coat (on field painting)
- #72 silver metallic powder coat
- #99 custom color / color match (paint chip required)

PROJECT :

ARCHITECT :

ENGINEER :

CONTRACTOR :

SUBMITTED BY :

DATE :

RPG SERIES
ROUND PERFORATED GRILLE -
ROUND DUCT SERIES

FORM # : 10040S

DRAWN BY : MH JANUARY 2000