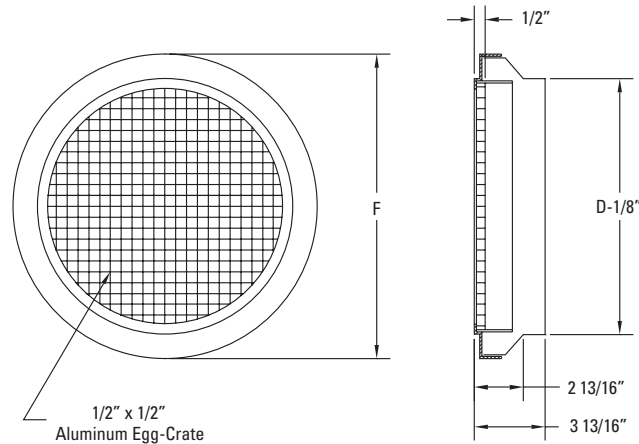


Round Egg-Crate Grille - Round Reducer Series



Model	Size	D	F
REC-06-RR	6	6	8-1/4
REC-08-RR	8	8	10-1/4
REC-10-RR	10	10	12-1/4
REC-12-RR	12	12	14-1/4
REC-14-RR	14	14	16-1/4
REC-16-RR	16	16	18-1/4
REC-18-RR	18	18	20-1/4
REC-20-RR	20	20	22-1/4
REC-22-RR	22	22	24-1/4
REC-24-RR	24	24	26-1/4

Inches measured to the nearest 1/16 inch

ARCHITECTURAL GRILLE

- Can be Utilized for Supply, Return or Exhaust Air
- Mounts Cleanly to Exposed Ductwork

STANDARD FINISH:

- #52 White Powder Coat
- #42 Gloss Black Powder Coat
- #72 Silver Metallic Powder Coat
- #00 Mill Aluminum

MATERIAL:

- Heavy Gauge Aluminum Construction
- 1/2"x1/2" Aluminum Egg-Crate

OPTIONS:

- Custom Finish _____

NOTES:

- Frame Slides Cleanly Into End of Exposed Ductwork
- Mounting Screws Included

Project:		<h2>REC Series</h2> <p>Round Egg-Crate Grille -Round Reducer Series</p>
Architect:		
Engineer:		
Contractor:		Form No: 10032S
Submitted By:	Date:	Drawn By: MH June 2004