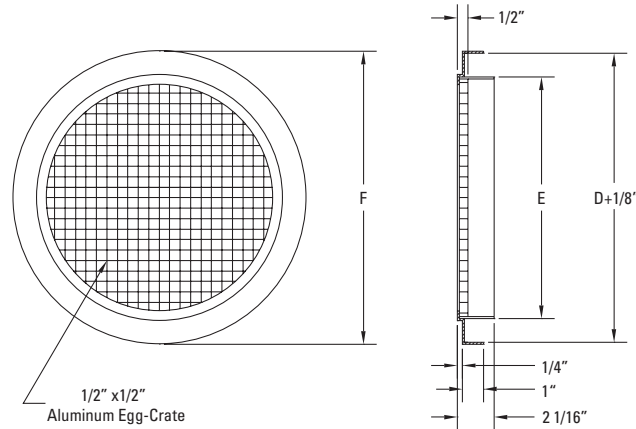


## Round Egg-Crate Grille -Round Duct Series



Model	Size	D	E	F
REC-06-RD	6	8	6	8-1/4
REC-08-RD	8	10	8	10-1/4
REC-10-RD	10	12	10	12-1/4
REC-12-RD	12	14	12	14-1/4
REC-14-RD	14	16	14	16-1/4
REC-16-RD	16	18	16	18-1/4
REC-18-RD	18	20	18	20-1/4
REC-20-RD	20	22	20	22-1/4
REC-22-RD	22	24	22	24-1/4
REC-24-RD	24	26	24	26-1/4
REC-30-RD	30	32	30	32-1/4

Inches measured to the nearest 1/16 inch

**STANDARD FINISH:**

- #52 White Powder Coat
- #42 Gloss Black Powder Coat
- #72 Silver Metallic Powder Coat
- #00 Mill Aluminum

**MATERIAL:**

- Heavy Gauge Aluminum Construction
- 1/2" x 1/2" Aluminum Egg-Crate

**OPTIONS:**

- Custom Finish \_\_\_\_\_

**NOTES:**

- Frame Slides Cleanly Over End of Exposed Ductwork
- Mounting Screws Included

**ARCHITECTURAL GRILLE**

- Can be Utilized for Supply, Return or Exhaust Air
- Mounts Cleanly to Exposed Ductwork

<b>Project:</b>	<h2>REC Series</h2> <p>Round Egg-Crate Grille - Round Duct Series</p>	
<b>Architect:</b>		
<b>Engineer:</b>		
<b>Contractor:</b>	<b>Form No: 10031S</b>	
<b>Submitted By:</b>	<b>Date:</b>	<b>Drawn By: MH October 2003</b>