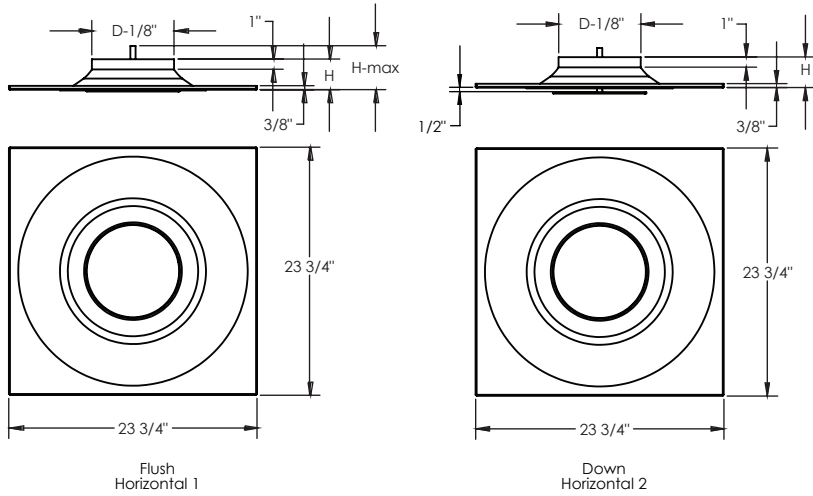


Plaque Diffuser - Lay In Series



High Aspiration Air Outlet

- Distinctive Architectural Design
- Adjustable
- Lay-In Panel
- Easy Installation

MODEL	D	H	H-max
PD-06-LI	6	2-1/2	5
PD-08-LI	8	3	5-1/2
PD-10-LI	10	3-1/2	6
PD-12-LI	12	4	6-1/2
PD-14-LI	14	4-1/2	7

(Inches measured to the nearest 1/16")

Standard Material

- Heavy Gauge Aluminum

Notes

- Lay-In Panel Design

Options

- Custom Finish _____

Standard Finishes

- #00 mill
- #12 anodized powder coat
- #42 gloss black powder coat
- #43 flat black powder coat
- #52 white powder coat
- #62 grey primer powder coat (on field painting)
- #72 silver metallic powder coat
- #99 custom color / color match (paint chip needed)

Project :		PD-LI Series Plaque Diffuser - Lay In
Architect :		
Engineer :		
Contractor :		Form # : 10082S
Submitted By :	Date :	Drawn By : MH May 2019