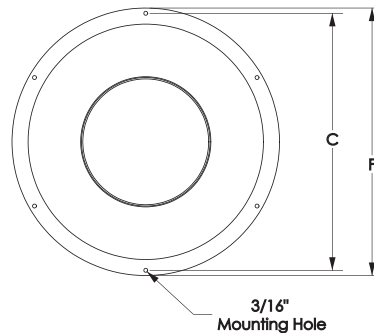
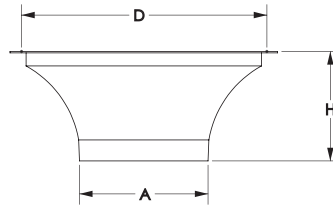


HIGH VELOCITY NOZZLE SERIES



HIGH VELOCITY AIR OUTLET

- Fixed Discharge Pattern
- Low Noise High Velocity Discharge for Long Throw Applications
- Surface mount
- Suitable for Heating & Cooling Applications

MODEL	SIZE	A	C	D	F	H
HVN-08	8	3-1/4	8-1/4	8	8-3/4	3-1/2
HVN-10	10	4-5/8	10-1/4	10	10-3/4	4-7/16
HVN-12	12	6	12-1/4	12	12-3/4	5-1/4
HVN-14	14	7	14-1/4	14	14-3/4	6-1/16
HVN-16	16	8	16-1/4	16	16-3/4	6-15/16
HVN-20	20	10	20-1/4	20	20-3/4	8-5/8

(Inches measured to the nearest 1/16")

STANDARD MATERIAL

- Heavy Gauge Aluminum

NOTES

- Mounting Screws Included

STANDARD FINISHES

- #00 mill
- #12 anodized powder coat
- #42 gloss black powder coat
- #43 flat black powder coat
- #52 white powder coat
- #62 grey primer powder coat (for field painting)
- #72 silver metallic powder coat
- #99 custom color / color match (paint chip required)

PROJECT :	<h2>HVN SERIES</h2> <p>HIGH VELOCITY NOZZLE</p>	
ARCHITECT :		
ENGINEER :		
CONTRACTOR :	FORM # : 20040S	
SUBMITTED BY :	DATE :	DRAWN BY : MH JANUARY 2018