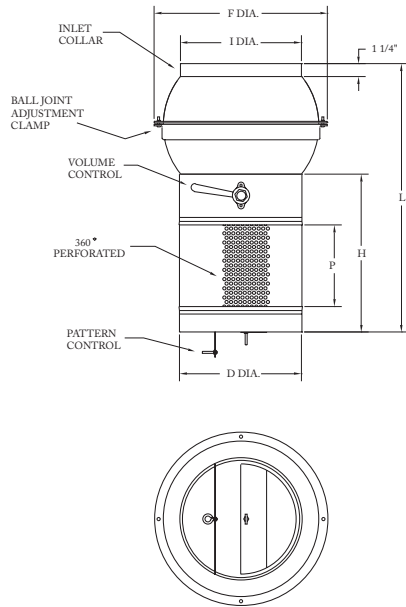


## FACTORY VENTILATION OUTLET - D SERIES



### DESCRIPTION

- Model FVO is intended for spot cooling or heating of individual work stations. Unit is easily adjustable to meet changing work conditions or individual comfort preferences.

### ADJUSTABILITY

#### Pattern Control Operation

- Doors open - open jet, full velocity.
- Doors partially closed - wider pattern, reduced velocity.
- Doors closed - wide angle hollow cone pattern, lowest velocity.

#### Deflection

- Adjustable up to 22° from unit centerline by means of the ball joint clamp screws.

#### Damper

- Volume Damper Included.

MODEL	INLET I DIA.	DISCHARGE D DIA.	FLANGE F DIA.	OVERALL L LENGTH	DIFFUSER H LENGTH	PERF. P LENGTH	PERF. AREA (IN <sup>2</sup> )	PERF. FREE AREA (IN <sup>2</sup> )
FVO-06-D	5-7/8	6	11-1/4	20	11-1/2	4	70	28
FVO-08-D	7-7/8	8	14	24	13-1/2	5	125	50
FVO-10-D	9-7/8	10	15-3/4	24-1/2	14-1/2	6	200	79
FVO-12-D	11-7/8	12	17	26	15-1/2	8	290	115
FVO-14-D	13-7/8	14	20-1/8	29-1/4	17-1/2	9	390	155
FVO-16-D	15-7/8	16	22	32-3/4	19	10	507	201

- INCHES MEASURED TO THE NEAREST 1/16 INCH

### STANDARD MATERIAL

- Diffusion / Projection Element
  - Heavy Gauge Steel
- Ball Joint - Spun Steel Construction

### OPTIONS

- Stainless Steel Construction
  - #304 Stainless Steel
  - #316 Stainless Steel

### STANDARD FINISHES

- #72 silver metallic powder coat

### NOTES

- Mounting Screws Not Included
- Custom Sizes Available
- Ball Joint Available in Steel Only

PROJECT :	<h2>FVO-D SERIES</h2> <p>FACTORY VENTILATION OUTLET - D SERIES</p>	
ARCHITECT :		
ENGINEER :		
CONTRACTOR :		
SUBMITTED BY :	DATE :	FORM # : 40033S
		DRAWN BY : MH JANUARY 2002