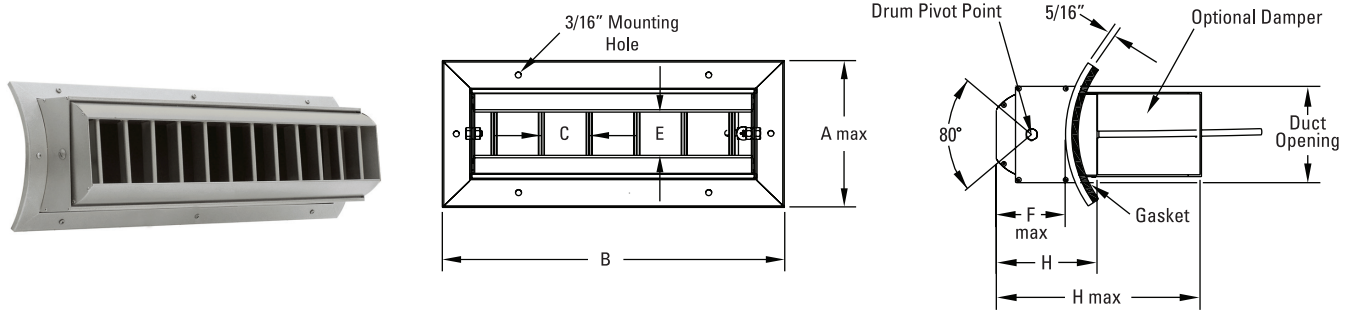


DRUM LOUVER - CURVED FRAME SERIES

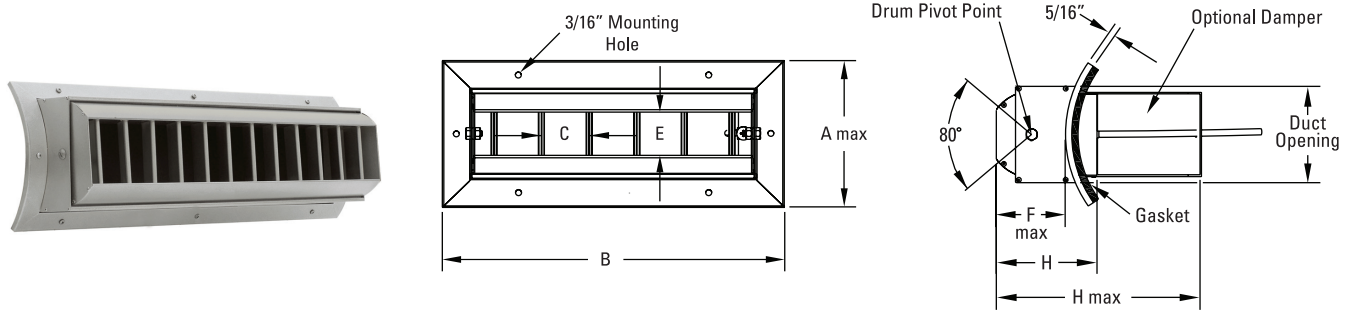


MODEL	A MAX	B	C	E	F MAX	H	H MAX	DUCT OPENING	MIN. DUCT DIA.	BLADE QTY	MOUNT HOLES
DL-1204-C	6-1/2	14-3/8	2	2	3-1/8	4	17-1/4	12 x 4	8	6	6
DL-1804-C		20-3/8						18 x 4		9	8
DL-2404-C		26-3/8						24 x 4		12	10
DL-3004-C		32-3/8						30 x 4		15	10
DL-3604-C		38-3/8						36 x 4		18	12
DL-4204-C		44-3/8						42 x 4		21	12
DL-4804-C		50-3/8						48 x 4		24	14
DL-6004-C		62-3/8						60 x 4		30	16
DL-1206-C	8-1/2	14-3/8	2	3-1/2	3-7/8	4-3/4	18	12 x 6	10	6	6
DL-1806-C		20-3/8						18 x 6		9	8
DL-2406-C		26-3/8						24 x 6		12	10
DL-3006-C		32-3/8						30 x 6		15	10
DL-3606-C		38-3/8						36 x 6		18	12
DL-4206-C		44-3/8						42 x 6		21	12
DL-4806-C		50-3/8						48 x 6		24	14
DL-6006-C		62-3/8						60 x 6		30	16
DL-1208-C	10-1/2	14-3/8	3	5	4-1/2	5-1/2	18-3/4	12 x 8	12	3	6
DL-1808-C		20-3/8						18 x 8		5	8
DL-2408-C		26-3/8						24 x 8		7	10
DL-3008-C		32-3/8						30 x 8		9	10
DL-3608-C		38-3/8						36 x 8		11	12
DL-4208-C		44-3/8						42 x 8		13	12
DL-4808-C		50-3/8						48 x 8		15	14
DL-6008-C		62-3/8						60 x 8		19	16

SEE NOTES ON PAGE 2

PROJECT :	<h2>DL-C SERIES</h2> <p>DRUM LOUVER - CURVED FRAME</p>	
ARCHITECT :		
ENGINEER :		
CONTRACTOR :		
SUBMITTED BY :	DATE :	FORM # : 40012S
		DRAWN BY : MH APRIL 2009

DRUM LOUVER - CURVED FRAME SERIES



MODEL	A MAX	B	C	E	F MAX	H	H MAX	DUCT OPENING	MIN. DUCT DIA.	BLADE QTY	MOUNT HOLES
DL-1210-C	12-1/2	14-3/8	3	6-5/8	5-1/4	6-1/4	19-1/2	12 x 10	14	3	6
DL-1810-C		20-3/8						5		8	
DL-2410-C		26-3/8						7		10	
DL-3010-C		32-3/8						9		10	
DL-3610-C		38-3/8						11		12	
DL-4210-C		44-3/8						13		12	
DL-4810-C		50-3/8						15		14	
DL-6010-C		62-3/8						19		16	
DL-2012-C	14-1/4	21-7/8	5	8-1/8	7-1/4	8	20-1/4	19-3/4 x 11-3/4	18	3	10
DL-3012-C		31-7/8						5		12	
DL-4012-C		41-7/8						7		14	
DL-5012-C		51-7/8						9		16	
DL-6012-C		61-7/8						11		18	
DL-2015-C	17-1/16	21-7/8	5	10-3/8	8-1/4	9	21-3/4	19-3/4 x 14-3/4	22	3	10
DL-3015-C		31-7/8						5		12	
DL-4015-C		41-7/8						7		14	
DL-5015-C		51-7/8						9		16	
DL-6015-C		61-7/8						11		18	

STANDARD FINISHES

- #12 anodized powder coat
- #42 gloss black powder coat
- #43 flat black powder coat
- #52 white powder coat
- #62 grey primer powder coat (on field painting)
- #72 silver metallic powder coat
- #99 custom color / color match (paint chip needed)

STANDARD MATERIAL

- Heavy gauge aluminum
- Foam Gasket

OPTIONS

- Extractor Damper (Not for use with Tap Mounting)
- Opposed Blade Damper
- Custom Size (Lengths)
- Dual Vane (Split)
- Custom Finish

FEATURES

- Low Noise Levels
- Low Pressure Requirements
- Directional Air Pattern Control ±45 Degree Deflection
- ±40 Degree Rotation
- 2" Blade Spacing Allows for Increased Spread Control Effectiveness

NOTES

- Mounting Screws Included

PROJECT :	<h2>DL-C SERIES</h2> <p>DRUM LOUVER - CURVED FRAME</p>	
ARCHITECT :		
ENGINEER :		
CONTRACTOR :	FORM # : 40012S	
SUBMITTED BY :	DATE :	DRAWN BY : MH APRIL 2009