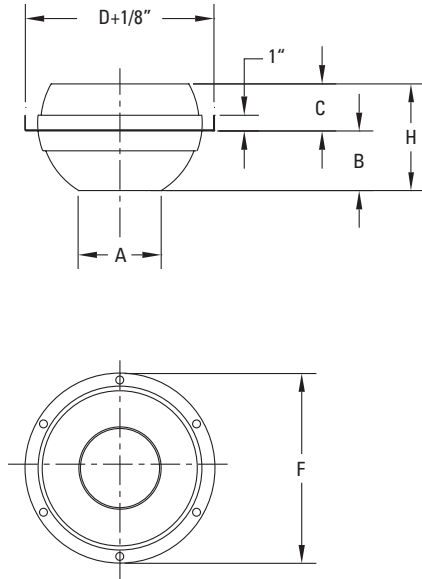


Aluminum Punkah Louver - Spherical Round Duct Series



HIGH VELOCITY TASK AIR OUTLET

- Low Noise Levels
- Low Pressure Requirements

ADJUSTABILITY

- Easy Finger Tip Adjustment
- Directional Air Pattern Control:
70 Degree Global Rotation Minimum
±35 Degree Deflection
360 Degree Rotation

INSTALLATION

- Mounts Cleanly to Exposed Ductwork

| MODEL | SIZE | A | B | C | D | F | H |
|------------|------|--------|--------|--------|----|----|--------|
| APLS-06-RD | 6 | 3 | 2-1/16 | 1-7/16 | 8 | 8 | 3-1/2 |
| APLS-08-RD | 8 | 4-3/8 | 3-1/8 | 1-3/4 | 10 | 10 | 4-7/8 |
| APLS-10-RD | 10 | 5-3/4 | 4 | 2-7/8 | 12 | 12 | 6-7/8 |
| APLS-12-RD | 12 | 7-3/8 | 4-1/2 | 3 | 14 | 14 | 7-1/2 |
| APLS-14-RD | 14 | 8-5/8 | 5-1/2 | 4-1/8 | 16 | 16 | 9-5/8 |
| APLS-16-RD | 16 | 9-3/4 | 6-1/8 | 4-3/4 | 18 | 18 | 10-7/8 |
| APLS-18-RD | 18 | 10-1/2 | 7-1/2 | 4-1/4 | 20 | 20 | 11-3/4 |
| APLS-20-RD | 20 | 12-3/8 | 7-5/8 | 4-7/8 | 22 | 22 | 12-1/2 |

Inches measured to the nearest 1/16 inch

STANDARD FINISH:

- #10 Clear Anodized
- #42 Gloss Black Powder Coat
- #52 White Powder Coat
- #72 Silver Metallic Powder Coat
- #00 Mill Aluminum

MATERIAL:

- Aluminum

OPTIONS:

- Custom Finish _____

NOTES:

- Frame Slides Cleanly Over End of Exposed Ductwork
- Mounting Screws Included

| | | |
|----------------------|--|----------------------------------|
| Project: | <h2>APLS Series</h2> <p>Aluminum Punkah Louver - Spherical Round Duct Series</p> | |
| Architect: | | |
| Engineer: | | |
| Contractor: | Form No: 20016S | |
| Submitted By: | Date: | Drawn By: MH October 2004 |