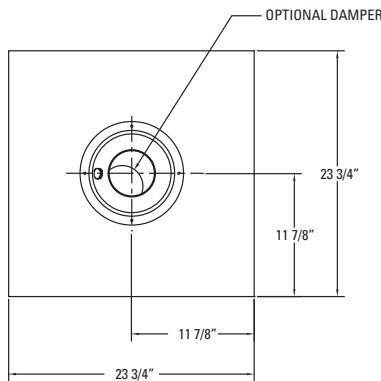
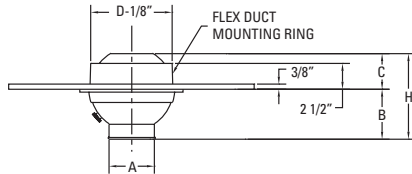


Aluminum Punkah Louver -Lay In Panel Series



HIGH VELOCITY TASK AIR OUTLET

- Low Noise Levels
- Low Pressure Requirements

ADJUSTABILITY

- Easy Finger Tip Adjustment
- Directional Air Pattern Control:
70 Degree Global Rotation Minimum
±35 Degree Deflection
360 Degree Rotation

INSTALLATION

- Installs Easily in T-Bar Ceiling Grid
- Flex Duct Mounting Included

MODEL	SIZE	A	B	C	D	H
APL-06/06A-LI	6	3	3-3/8	2-1/2	6	5-7/8
APL-08/08A-LI	8	4-3/8	4-9/16	2-1/2	8	7-1/16
APL-10/10A-LI	10	5-3/4	5-13/16	2-9/16	10	8-3/8
APL-12/12A-LI	12	7-3/8	6-5/16	2-11/16	12	9
APL-14/14A-LI	14	8-5/8	7-7/16	3-13/16	14	11-1/4
APL-16/16A-LI	16	9-3/4	8-9/16	4-7/16	16	13
APL-18/18A-LI	18	10-1/2	9-13/16	3-15/16	18	13-3/4
APL-20/20A-LI	20	12-3/8	11-3/16	4-9/16	20	15-3/4

Inches measured to the nearest 1/16 inch

STANDARD FINISH:

- #10 Clear Anodized
- #42 Gloss Black Powder Coat
- #52 White Powder Coat
- #72 Silver Metallic Powder Coat
- #00 Mill Aluminum

OPTIONS:

- Aperture Damper
- Custom Finish _____

MATERIAL:

- Aluminum
- Stainless Steel Damper Hardware
- Foam Gasket

NOTES:

- Lay In Ceiling Installation
- Flex Duct Mounting Ring Included
- "A" in Model Name Designates Aperture Damper Required

Project:	<h2>APL Series</h2> <p>Aluminum Punkah Louver - Lay In Panel Series</p>	
Architect:		
Engineer:		
Contractor:	Form No: 20012S	
Submitted By:	Date:	Drawn By: MH January 2005