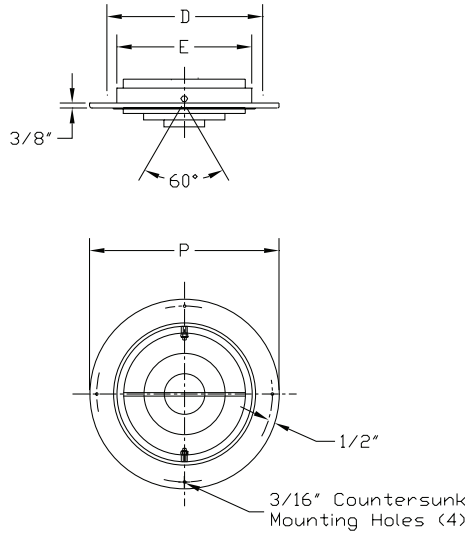


AIR NOZZLE - ROUND PANEL SERIES



ADJUSTABILITY

- Adjustment of the concentric rings about the pivotal axis through a 60° arch at ± 30°.
- Adjustment of the nozzle element about a fixed plane through a 360° rotation.

INSTALLATION

- Easily installs on wall or ceiling with included screws.

MODEL	E (NOZZLE)	RINGS PER NOZZLE	D (DUCT)	P (PANEL)
ANC-04-RP	4	3	6	8
ANC-05-RP	5	3	6	8
ANC-06-RP	6	3	8	10
ANC-08-RP	8	3	10	12
ANC-10-RP	10	3	12	14
ANC-12-RP	12	3	14	16
ANC-14-RP	14	4	16	18
ANC-16-RP	16	4	18	20
ANC-18-RP	18	4	20	22
ANC-20-RP	20	5	22	24
ANC-22-RP	22	5	24	26
ANC-24-RP	24	5	26	28

(Inches measured to the nearest 1/16")

STANDARD MATERIAL

- Heavy Gauge Steel

OPTIONAL MATERIAL

- Heavy Gauge Aluminum
- Stainless Steel #304
- Stainless Steel #316

NOTES

- Mounting Screws Included
- Custom Sizes Available

STANDARD FINISHES

- #00 mill (aluminum)
- #10 clear anodized (aluminum)
- #12 anodized powder coat
- #42 gloss black powder coat
- #43 flat black powder coat
- #52 white powder coat
- #62 grey primer powder coat (on field painting)
- #72 silver metallic powder coat
- #99 custom color / color match (paint chip needed)

PROJECT :	<h1>ANC-RP SERIES</h1> <p>AIR NOZZLE - ROUND PANEL MOUNT</p>
ARCHITECT :	
ENGINEER :	
CONTRACTOR :	
SUBMITTED BY :	
DATE :	FORM # : 30012S
DRAWN BY : MH JANUARY 2002	