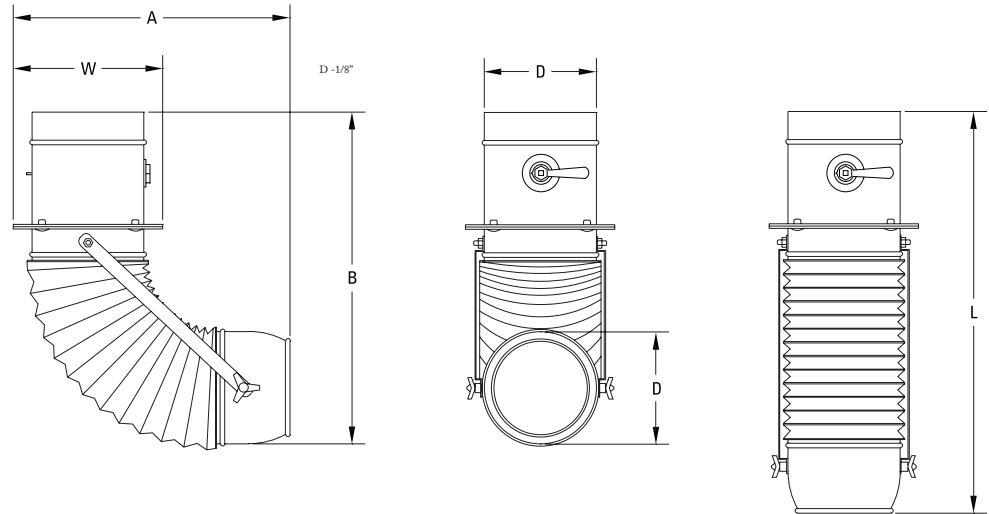


AIR DIRECT NOZZLE ALUMINUM SERIES



MODEL	D	W	L	A	B
ADNA-06	6	8	18	15	17
ADNA-08	8	10	20-1/4	17	18
ADNA-10	10	12	24	20-1/2	20
ADNA-12	12	14-3/4	26-1/2	25	22

INCHES MEASURED TO THE NEAREST 1/16 INCH

VERSATILITY

- High Velocity for spot cooling / heating or simple ventilation.
- Precise, adjustable airflow control is required.
- More than one shift works at the station.
- Workflow and ventilation requirements change with time.

ADJUSTABILITY

- Directional control adjustable through a 180° deflection of air stream.
- Directional control adjustable through a 360° range of motion using a "ring in ring" turret-style rotation.
- Air volume control adjustable with included damper.
- Ease of adjustability without the need of special tools.

STANDARD FINISH

- #72 silver metallic powder coat.

MATERIAL

- Heavy gauge aluminum construction.
- Coated fiberglass cloth fabric.

Project :	<h1>ADNA SERIES</h1> <p>AIR DIRECT NOZZLE ALUMINUM</p>	
Architect :		
Engineer :		
Contractor :		
Submitted By :	Date :	Form # : 40021S
		Drawn By : MH January 2002