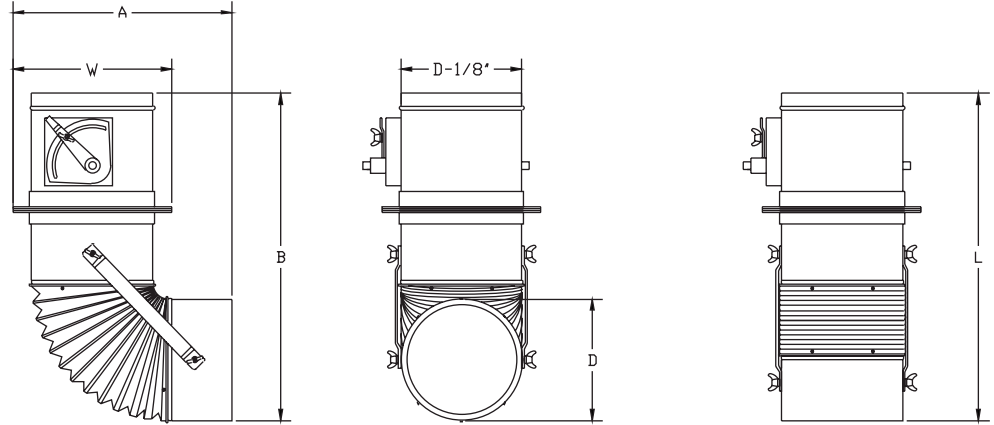


AIR DIRECT NOZZLE SERIES



MODEL	D	W	L	A	B
ADN-08	8	10-3/4	26-3/4	16-3/4	24-1/4
ADN-10	10	12-3/4	27-3/4	18-3/4	25
ADN-12	12	14-3/4	28-3/4	20	25-3/4

INCHES MEASURED TO THE NEAREST 1/16 INCH

VERSATILITY

- High Velocity for spot cooling / heating or simple ventilation.
- Precise, adjustable airflow control is required.
- More than one shift works at the station.
- Workflow and ventilation requirements change with time.

ADJUSTABILITY

- Directional control adjustable through a 180° deflection of air stream.
- Directional control adjustable through a 360° range of motion using a "ring in ring" turret-style rotation.
- Air volume control adjustable with included damper.
- Ease of adjustability without the need of special tools.

STANDARD FINISH

- Safety orange baked enamel finish.

MATERIAL

- Heavy gauge steel construction.
- High grade industrial cloth fabric.

OPTIONS

- Low leakage damper.
- Collar for male installation.

Project :	<h1>ADN SERIES</h1> <p>AIR DIRECT NOZZLE</p>	
Architect :		
Engineer :		
Contractor :	Form # : 40020S	
Submitted By :	Date :	Drawn By : MH January 2002