
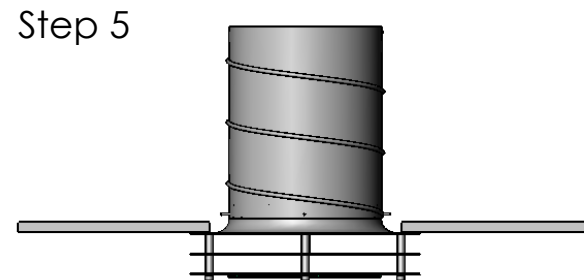
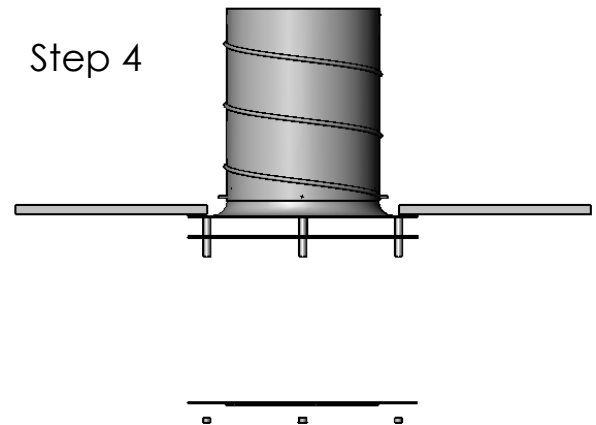
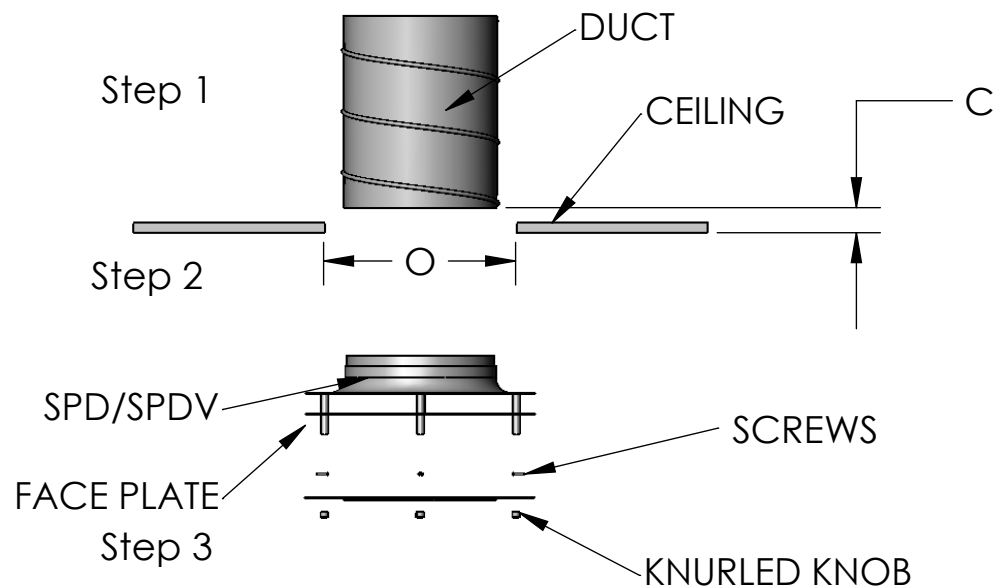



| MODEL | D | O | C |
|-------|-----|---------|--------|
| 6" | 6" | 7 1/2" | 3/4" |
| 8" | 8" | 9 1/2" | 3/4" |
| 10" | 10" | 12" | 1" |
| 12" | 12" | 14" | 1" |
| 14" | 14" | 16 1/2" | 1 1/4" |
| 16" | 16" | 18" | 1 1/4" |
| 20" | 20" | 23 3/8" | 2 3/4" |

PROPRIETARY AND CONFIDENTIAL
 THE INFORMATION CONTAINED IN THIS DRAWING IS THE SOLE PROPERTY OF AIRCONCEPTS, INC. ANY REPRODUCTION IN PART OR AS A WHOLE WITHOUT THE WRITTEN PERMISSION OF AIRCONCEPTS, INC IS PROHIBITED.

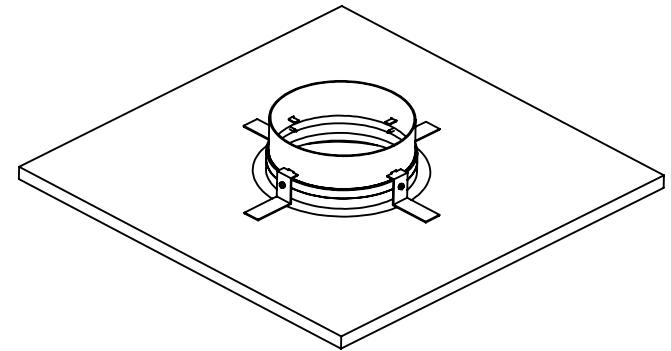
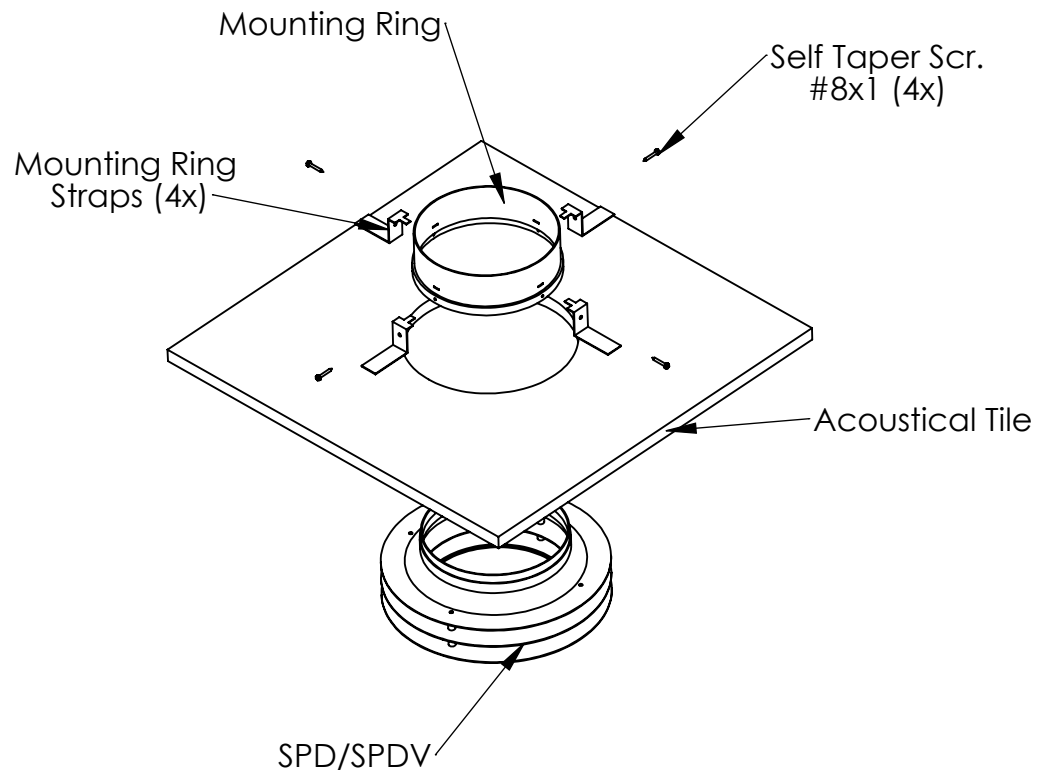
| | | | | | | |
|-------------|---------|--|--|--------------------------------------|----------|---|
| | | DIMENSIONS ARE IN INCHES TOLERANCES: ± 1/32 | | NAME | DATE |  |
| | | FRACTIONAL ± | | DRAWN | 05-27-04 | |
| | | ANGULAR: MACH ± BEND ± | | CHECKED | | |
| | | TWO PLACE DECIMAL ± | | ENG APPR. | | |
| | | THREE PLACE DECIMAL ± | | MFG APPR. | | |
| | | MATERIAL | | Q.A. | | |
| | | FINISH -- | | COMMENTS: | | SPD/SPDV INSTALLATION INSTRUCTION |
| NEXT ASSY | USED ON | | | FOR INSTALLATION IN SOLID CEILING | | |
| APPLICATION | | DO NOT SCALE DRAWING | | | | SCALE: 1:2 WEIGHT: SHEET 1 OF 2 |



- Step 1
Install duct "C" above ceiling line.
- Step 2
Cut the hole in ceiling diameter "O"
- Step 3
Remove the face by loosening the knurled knobs.
- Step 4
Insert SPD/SPDV frame in the duct and secure it with screws or rivets (by others).
- Step 5
Place the face back on the frame and tighten it with knurled knobs.

| | | | | | | |
|----------------------|--|--|--|--------------------------------------|----------|---|
| | | DIMENSIONS ARE IN INCHES TOLERANCES: $\pm 1/32$ FRACTIONAL \pm ANGULAR: MACH \pm BEND \pm TWO PLACE DECIMAL \pm THREE PLACE DECIMAL \pm | | NAME | DATE |  |
| | | MATERIAL | | DRAWN | 05-27-04 | |
| | | FINISH | | CHECKED | | |
| | | NEXT ASSY | | ENG APPR. | | |
| APPLICATION | | USED ON | | MFG APPR. | | SPD/SPDV INSTALLATION INSTRUCTION |
| DO NOT SCALE DRAWING | | | | Q.A. | | |
| | | | | COMMENTS: | | |
| | | | | FOR INSTALLATION IN SOLID CEILING | | SIZE A DWG. NO. REV. |
| | | | | SCALE: 1:2 | WEIGHT: | SHEET 2 OF 2 |

PROPRIETARY AND CONFIDENTIAL
 THE INFORMATION CONTAINED IN THIS DRAWING IS THE SOLE PROPERTY OF AIRCONCEPTS, INC. ANY REPRODUCTION IN PART OR AS A WHOLE WITHOUT THE WRITTEN PERMISSION OF AIRCONCEPTS, INC IS PROHIBITED.



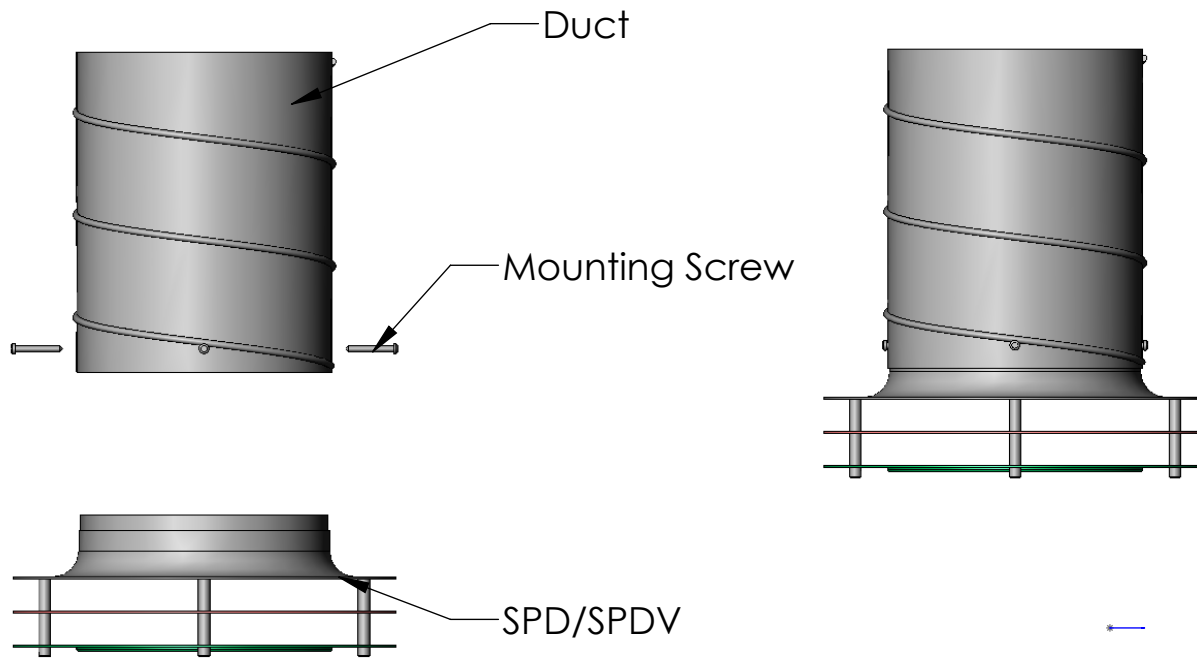
PROPRIETARY AND CONFIDENTIAL
 THE INFORMATION CONTAINED IN THIS DRAWING IS THE SOLE PROPERTY OF AIRCONCEPTS, INC. ANY REPRODUCTION IN PART OR AS A WHOLE WITHOUT THE WRITTEN PERMISSION OF AIRCONCEPTS, INC IS PROHIBITED.

| | | | | | |
|-------------|---------|---|-----------|------|----------|
| | | UNLESS OTHERWISE SPECIFIED: | | NAME | DATE |
| | | DIMENSIONS ARE IN INCHES TOLERANCES: $\pm 1/32"$ FRACTIONAL ANGULAR: MACH \pm BEND \pm TWO PLACE DECIMAL \pm THREE PLACE DECIMAL \pm | DRAWN | M.H. | 09-25-08 |
| | | INTERPRET GEOMETRIC TOLERANCING PER: | CHECKED | | |
| | | MATERIAL | ENG APPR. | | |
| | | FINISH | MFG APPR. | | |
| NEXT ASSY | USED ON | | Q.A. | | |
| APPLICATION | | DO NOT SCALE DRAWING | COMMENTS: | | |



SPD/SPDV Acoustical Tile Installation

| | | |
|-------------|----------|--------------|
| SIZE | DWG. NO. | REV |
| A | | |
| SCALE: 1:10 | WEIGHT: | SHEET 1 OF 1 |



PROPRIETARY AND CONFIDENTIAL
 THE INFORMATION CONTAINED IN THIS DRAWING IS THE SOLE PROPERTY OF AIRCONCEPTS, INC. ANY REPRODUCTION IN PART OR AS A WHOLE WITHOUT THE WRITTEN PERMISSION OF AIRCONCEPTS, INC IS PROHIBITED.

| | | | | | |
|-------------|---------|---|-----------|------|----------|
| | | UNLESS OTHERWISE SPECIFIED: | | NAME | DATE |
| | | DIMENSIONS ARE IN INCHES TOLERANCES: ± 1/32" | DRAWN | M.H. | 09-22-08 |
| | | FRACTIONAL | CHECKED | | |
| | | ANGULAR: MACH ± BEND ± | ENG APPR. | | |
| | | TWO PLACE DECIMAL ± | MFG APPR. | | |
| | | THREE PLACE DECIMAL ± | Q.A. | | |
| | | INTERPRET GEOMETRIC TOLERANCING PER: | COMMENTS: | | |
| | | MATERIAL | | | |
| | | FINISH | | | |
| NEXT ASSY | USED ON | | | | |
| APPLICATION | | DO NOT SCALE DRAWING | | | |



SPD/SPDV Installation Instructions

| | | |
|------------|----------|--------------|
| SIZE | DWG. NO. | REV |
| A | | |
| SCALE: 1:8 | WEIGHT: | SHEET 1 OF 1 |