
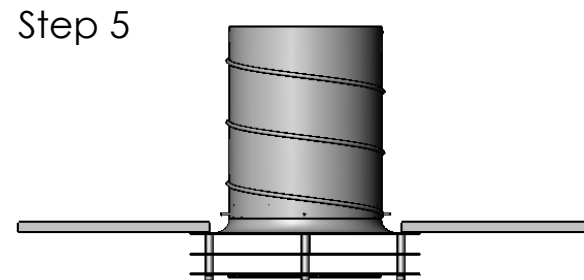
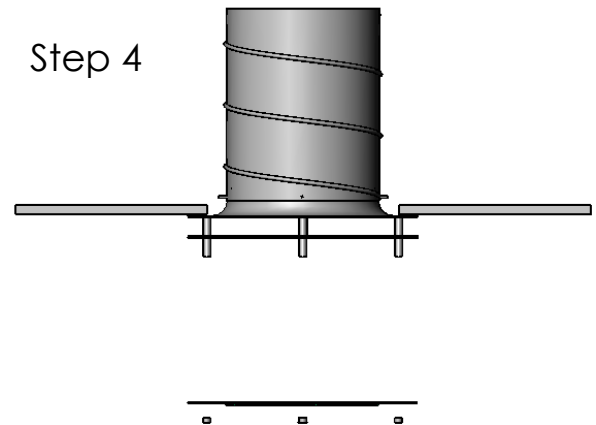
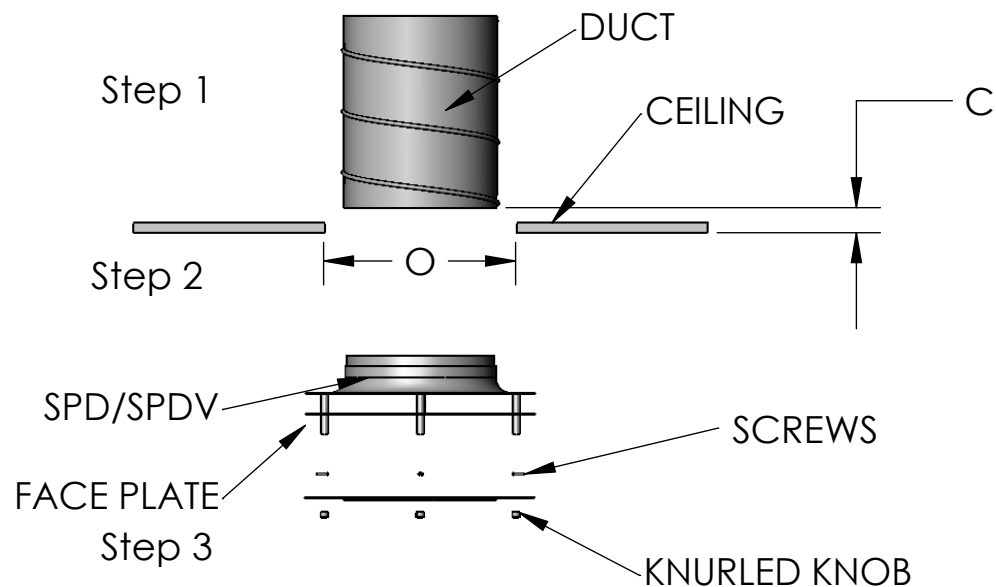



MODEL	D	O	C
6"	6"	7 1/2"	3/4"
8"	8"	9 1/2"	3/4"
10"	10"	12"	1"
12"	12"	14"	1"
14"	14"	16 1/2"	1 1/4"
16"	16"	18"	1 1/4"
20"	20"	23 3/8"	2 3/4"

**PROPRIETARY AND CONFIDENTIAL**  
 THE INFORMATION CONTAINED IN THIS DRAWING IS THE SOLE PROPERTY OF AIRCONCEPTS, INC. ANY REPRODUCTION IN PART OR AS A WHOLE WITHOUT THE WRITTEN PERMISSION OF AIRCONCEPTS, INC IS PROHIBITED.

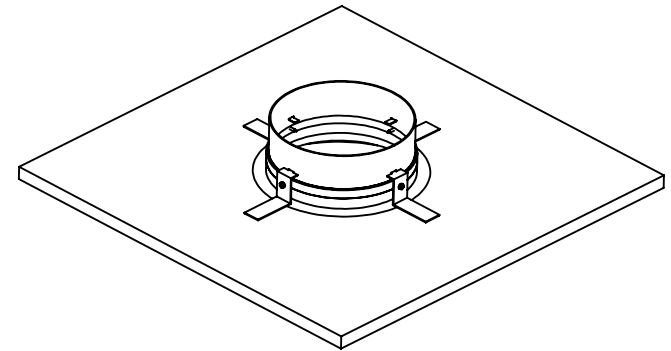
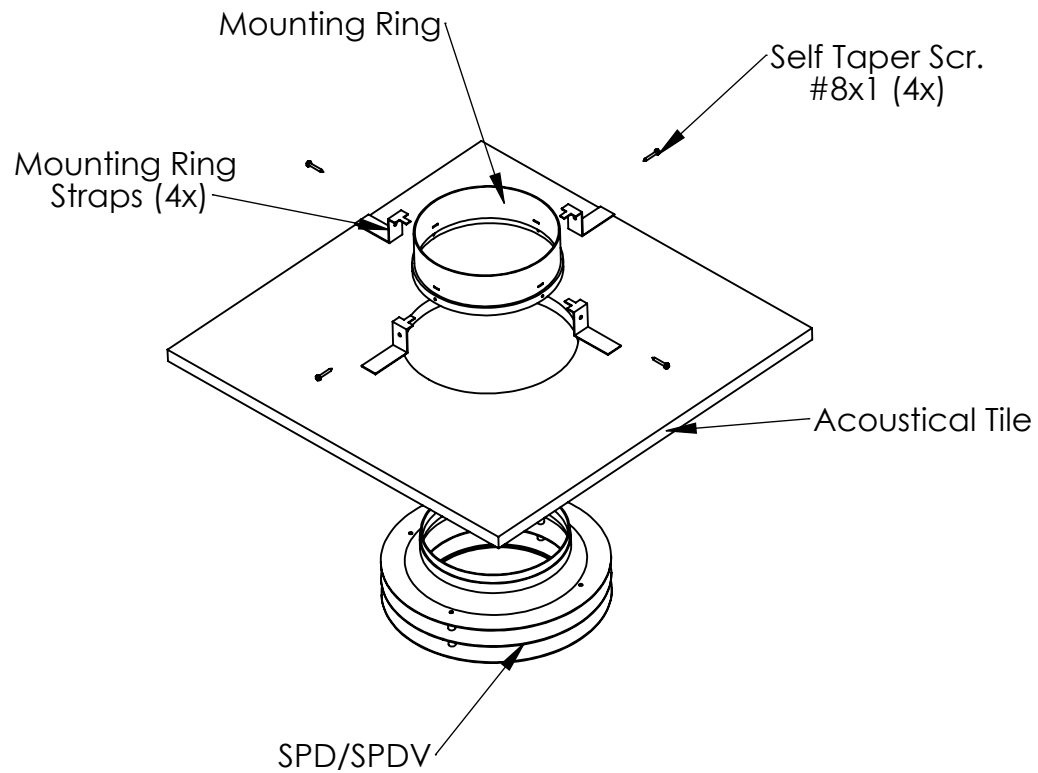
		DIMENSIONS ARE IN INCHES TOLERANCES: ± 1/32		NAME	DATE	
		FRACTIONAL ±		DRAWN	05-27-04	
		ANGULAR: MACH ± BEND ±		CHECKED		
		TWO PLACE DECIMAL ±		ENG APPR.		
		THREE PLACE DECIMAL ±		MFG APPR.		
		MATERIAL		Q.A.		
		FINISH --		COMMENTS:		<b>SPD/SPDV          INSTALLATION INSTRUCTION</b>
NEXT ASSY	USED ON			FOR INSTALLATION IN SOLID CEILING		
APPLICATION		DO NOT SCALE DRAWING				SCALE:1:2 WEIGHT: SHEET 1 OF 2



- Step 1  
Install duct "C" above ceiling line.
- Step 2  
Cut the hole in ceiling diameter "O"
- Step 3  
Remove the face by loosening the knurled knobs.
- Step 4  
Insert SPD/SPDV frame in the duct and secure it with screws or rivets (by others).
- Step 5  
Place the face back on the frame and tighten it with knurled knobs.

		DIMENSIONS ARE IN INCHES TOLERANCES: $\pm 1/32$ FRACTIONAL $\pm$ ANGULAR: MACH $\pm$ BEND $\pm$ TWO PLACE DECIMAL $\pm$ THREE PLACE DECIMAL $\pm$		NAME	DATE	
		MATERIAL		DRAWN	05-27-04	
		FINISH		CHECKED		
		NEXT ASSY		ENG APPR.		
APPLICATION		USED ON		MFG APPR.		<b>SPD/SPDV INSTALLATION INSTRUCTION</b>
DO NOT SCALE DRAWING				Q.A.		
				COMMENTS:		
				FOR INSTALLATION IN SOLID CEILING		SIZE <b>A</b> DWG. NO. REV.
				SCALE: 1:2	WEIGHT:	SHEET 2 OF 2

**PROPRIETARY AND CONFIDENTIAL**  
 THE INFORMATION CONTAINED IN THIS DRAWING IS THE SOLE PROPERTY OF AIRCONCEPTS, INC. ANY REPRODUCTION IN PART OR AS A WHOLE WITHOUT THE WRITTEN PERMISSION OF AIRCONCEPTS, INC IS PROHIBITED.



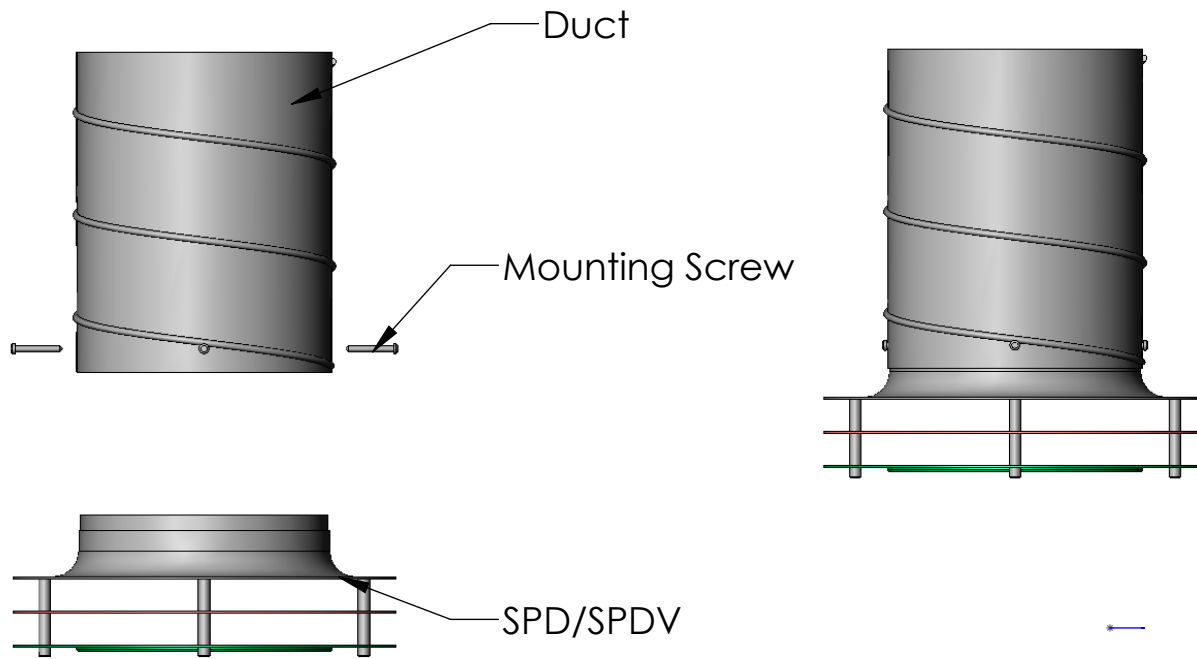
**PROPRIETARY AND CONFIDENTIAL**  
 THE INFORMATION CONTAINED IN THIS DRAWING IS THE SOLE PROPERTY OF AIRCONCEPTS, INC. ANY REPRODUCTION IN PART OR AS A WHOLE WITHOUT THE WRITTEN PERMISSION OF AIRCONCEPTS, INC IS PROHIBITED.

		UNLESS OTHERWISE SPECIFIED:		NAME	DATE
		DIMENSIONS ARE IN INCHES TOLERANCES: $\pm 1/32"$ FRACTIONAL ANGULAR: MACH $\pm$ BEND $\pm$ TWO PLACE DECIMAL $\pm$ THREE PLACE DECIMAL $\pm$	DRAWN	M.H.	09-25-08
		INTERPRET GEOMETRIC TOLERANCING PER:	CHECKED		
		MATERIAL	ENG APPR.		
		FINISH	MFG APPR.		
NEXT ASSY	USED ON		Q.A.		
APPLICATION		DO NOT SCALE DRAWING	COMMENTS:		



**SPD/SPDV Acoustical Tile Installation**

SIZE	DWG. NO.	REV
<b>A</b>		
SCALE: 1:10	WEIGHT:	SHEET 1 OF 1



**PROPRIETARY AND CONFIDENTIAL**  
 THE INFORMATION CONTAINED IN THIS DRAWING IS THE SOLE PROPERTY OF AIRCONCEPTS, INC. ANY REPRODUCTION IN PART OR AS A WHOLE WITHOUT THE WRITTEN PERMISSION OF AIRCONCEPTS, INC IS PROHIBITED.

		UNLESS OTHERWISE SPECIFIED:		NAME	DATE
		DIMENSIONS ARE IN INCHES TOLERANCES: ± 1/32"	DRAWN	M.H.	09-22-08
		FRACTIONAL	CHECKED		
		ANGULAR: MACH ± BEND ±	ENG APPR.		
		TWO PLACE DECIMAL ±	MFG APPR.		
		THREE PLACE DECIMAL ±	Q.A.		
		INTERPRET GEOMETRIC TOLERANCING PER:	COMMENTS:		
		MATERIAL			
		FINISH			
NEXT ASSY	USED ON				
APPLICATION		DO NOT SCALE DRAWING			



**SPD/SPDV Installation Instructions**

SIZE	DWG. NO.	REV
<b>A</b>		
SCALE: 1:8	WEIGHT:	SHEET 1 OF 1